



model 12000

features

- 110 t (120 USt) Lift Capacity
- 397 mton-m (2,880 ft-kips) Maximum Load Moment
- 70,1 m (230 ft) Heavy-Lift Boom
- 82,3 m (270 ft) Fixed Jib on Heavy-Lift Boom
- 94,5 m (310 ft) Luffing Jib on Heavy-Lift Boom
- 247 kW (332 HP) engine
- 163 mpm (535 fpm) line speed
- 21 180 kg (46,700 lb) Maximum Line Pull
- 11 400 kg (25,100 lb) Rated Line Pull
- 10 000 kg (25,000 lb) Material Rehandling Clamshell capacity
- Fast, efficient self-assembly and disassembly
- Manitowoc Crane CARE comprehensive support



product guide

contents

Specifications	3
Outline Dimensions	6
Transport Data	10
Crane Assembly	11
Performance Data	12
Load Chart Notes	13
Boom Combinations	14
Range Diagrams and Load Charts	16
Clamshell	25



Index

2

specifications

3

Upperworks



Engine

Hino P11C-UN, 6 cylinder, water-cooled diesel, direct fuel injection with turbocharger, 247 kW (332 HP) at 2000 high-idle RPM. Maximum torque 1300 N·m (959 lb·ft) net at 1,500 rpm (SAE J 1349).

One diesel fuel tank, 400 liters (105 gallons) capacity.

Two 12 volt 136 AH capacity batteries, 24 volt system and 50 amp alternator.

All wiring harnesses and connectors are numbered for easier servicing. Machine is equipped with individual fused branch circuits.



Controls

Full-flow hydraulic control system for constant variable pressure to front and rear drums, boom hoist brakes and clutches. Controls respond instantly to the touch, delivering smooth function operation.

Relief valve pressures:

Load hoist, boom hoist

and propel system 315kg/cm² (4,480 psi)

Swing system 280 kg/cm², (3,980psi)

Control system 80 kg/cm² (1,140 psi)



Hydraulic System

All four variable displacement piston-type pumps are driven by a heavy-duty pump drive. One of these pumps is used in the right propel circuit and hook hoist circuit, and can accommodate an optional third circuit. Another is used in the left propel circuit and hook hoist circuit. The third variable displacement pump is used in the boom hoist circuit. The fourth variable displacement pump is used in the swing circuit. In addition, two gear pumps are used in the control system and auxiliary equipment, and two gear pumps serve the brake cooling system.

Maximum pressure rating 325 kg/cm² (4,640 psi)

Load hoist, boom hoist and propel 2 Piston pumps

Boom Hoist 1 Piston pump

Swing 1 Piston pump

Control system and auxiliary 2 Gear pumps

Brake cooling system 2 Gear pumps

Reservoir capacity: 460 liter (121 US gallon).

Cooling: Oil-to-air heat exchanger (plate-fin type).

Filtration: Full-flow and bypass type with replaceable paper element.



Drums

Front and rear drums for load hoist powered by hydraulic variable displacement piston-type motors, driven through planetary reducers. Powered hoisting/lowering and free-fall operation is standard. Drum turn indicators for front and rear drums are also standard.

Brake & Clutches (compatible): Forced-circulation oil-cooled wet-type multi-disc brakes, each using positive and negative actuation. An external ratchet is fitted for locking the drums.

Drums: (front and rear) 613 mm (24.1") P.C.D. X 622 mm (24.5") wide drums, grooved for 26.0 mm (1.02") wire rope.

Wire rope capacity:

Front drum 260 m (853 ft) working length

Rear drum 230 m (754 ft) working length

Storage length (each drum) 253 m (830')

Line speed: Single line on the first drum layer

Hoisting: 120m/min (394 ft/min)

Lowering: 120m/min (394 ft/min)

▶ **Optional third drum:** same dimensions and specifications as front and rear drums. Wire rope working length is 240 m (787').



Swing System

Swing unit: Powered by a hydraulic piston-type motor driving spur gears through planetary reducers, the swing system provides 360° rotation.

Swing brake: A spring-set, hydraulically released multiple-disc brake is internally fitted in swing motor.

Swing lock: 2 Position lock for transportation.

Rotating bed turntable: Single-row ball bearing with an integral internally cut swing gear.

Swing speed: 2.7 rpm



Boom Support System

Single drum powered by a hydraulic axial piston motor through a planetary reducer.

Brake: A spring-set, hydraulically released multiple-disc brake is internally fitted in the boom hoist motor and operated through a counter-balance valve. An external ratchet is fitted for locking the drum.

Drum: Single drum, grooved for 20 mm (13/16") dia. wire rope. Boom Hoist reeving is 10-part line.

model 12000



specifications

Wire Rope Capacity:

Drum 155 m (508 ft) working length.

4

Line speed: Single line on the first drum layer

Hoisting 48m/min (157 ft/min)

Lowering 48m/min (157 ft/min)



Gantry

This high folding type gantry is fitted with a sheave frame for boom hoist reeving. It provides full up, full down positions.



Counterweight

QTY.	ITEM	UNIT WEIGHT		TOTAL WEIGHT	
		kg	lb	kg	lb
1	Counterweight A	10 000	22,050	10 000	22,050
2	Counterweight B	7 000	15,435	14 000	30,870
1	Counterweight C	10 000	22,050	10 000	22,050
Counterweight TOTAL				34 000	74,970



Operator's Cab

Totally enclosed, full vision cab fitted with tinted safety glass. A fully adjustable, highbacked seat with arm rests permits operators to set their ideal working position. Side mounted console for auxiliary controls and instruments. An air conditioner, a signal horn, cigarette lighter, windshield wiper and inspection lamp socket are standard features.

Controls

In front of operator are the foot pedals for front, rear and third drum (option) brakes and foot throttle pedal. At operator's right side are the travel (propel) control levers and the function lock lever. To the operator's right front are the boom hoist control lever, front and rear winch control levers and the free-fall select switches for the front and rear winches and drum turn indicators (front/rear drum). To the operators left front are the swing control lever and third drum (option) control lever. To the operator's left are the crawler extend/retract lever and the positive swing lock. The left-hand console contains switches for the anti-two-block/boom overhoist. Directly in front of the console are the drum pawl lock for boom, front, rear and third drum (option) and the engine ignition key. The swing parking brake and signal horn are mounted on the swing control lever.

Gauges

Fuel gauge, engine water temperature gauge, hour meter and tachometer are located on the monitor display.

Warning display

All potential warnings, including battery charge,

engine oil pressure, air cleaner, engine oil filter, control main pressure, and hydraulic oil temperature will appear on the monitor display when a fault occurs.

Safety device

Function lock lever, anti-two-block, boom over hoist limit switch, boom angle indicator, signal horn, boom hoist drum lock, front and rear drum lock, swing lock, swing alarm (buzzer and lamps), boom backstops and load moment indicator.

Lowerworks



Carbody

The durable carbody features steel welded construction with extendible axles.



Crawlers

Crawler assemblies can be hydraulically extended for wide-track operation or retracted for transportation. Crawler belt tension adjusted with hydraulic jack and maintained by shims between idler block and frame.

Crawler drive

The independent hydraulic propel drive is built into each crawler side frame. Each drive consists of a hydraulic motor driving a propel sprocket through a planetary gearbox. The hydraulic motor and gearbox are built into the crawler side frame within the shoe width. The track rollers are sealed for maintenance-free operation.

Crawler brakes

Spring set, hydraulically released, multiple disc-type parking brakes are built into each propel drive.

Steering mechanism

The hydraulic propel system provides both skid steering (driving one track only) and counter-rotating steering (driving each track in opposite direction) and differential track speed.

Crawler shoes

66 shoes per side, 914 mm (36") wide each crawler.

Travel speed (High/Low) 1.4/1.0 km/h (0.87/0.62 mph)

Attachments



Boom

Welded lattice construction using tubular, high-tensile steel chords with pin connections between sections. Boom tip is open throat construction. Two idler sheaves and four point sheaves are standard.

specifications

Basic boom length 15,24 m (50') consists of the boom butt section 7,62 m (25' 0") and boom top section 7,62 m (25' 0").

Optional boom inserts are available to provide extension capabilities. They also have welded lattice construction with tubular, high-tension steel chords and pin connections on each one of 3,0 m (10'), 6,1 m (20'), 12,2 m (40') inserts.

Maximum total length of boom 70,1 m (230').



Fixed Jib

The optional fixed jib employs welded lattice construction with tubular, high-tension steel chords with pin connections between sections.

Basic jib length 9,14 m (30') consists of Jib butt section 4,57 m (15') and jib top section 4,57 m (15').

Optional jib boom inserts of 3,0 m (10'), 6,1 m (20') are available for extension capabilities up to 21,3 m (70').

Maximum total length of boom and jib 61,0 m (200') + 21,3 m (70') is 82,3 m (270').



Luffing Jib

Optional: Components to make up 18,3 m (60') basic luffing boom including 7,62 m (25') butt, 9,14 m (30') special luffing boom insert (with idler sheave), 1,5 m (5') top, boom strut assembly, jib strut assembly, jib stop assembly, strut backstops, backstay pendants with sheaves, mounting parts and LMI hardware.

Optional: 3,1 m (10'), 6,1 m (20'), and 12,2 m (40') luffing boom inserts. Utilize optional boom inserts to make up to 45,7 m (150') of luffing boom.

Optional: 18,3 m (60') basic luffing jib assembly including 5,8 m (19') luffing jib butt, 6,1 m (20') luffing jib insert, 6,4 m (21') luffing jib top, 6,4 m (21') front strut assembly, 5,3 m (17' 5") rear strut assembly, and luffing jib point roller assembly (single sheave) which is required during erection of the jib.

Maximum 51,8 m (170') jib length for 42,7 m (140') boom length and maximum 30,4 m (100') jib length for 45,7 m (150') boom length.

Note: Luffing boom utilizes the liftcrane boom inserts (except for the 30' special luffing boom insert). Also, the third drum and wire rope must be ordered with luffing jib attachment.

Tools and Accessories

A set of tools and accessories are furnished.

Optional Equipment

- Optional: Blocks and Hooks each with roller bearing sheaves grooved for 26.0 mm (1.02") diameter wire rope, and roller bearing swivel with hook latch.
- 12 t ball hook, 456 kg wedge socket for 26 mm wire rope.
(15 USt ball hook, 1,310 lb wedge socket for 1.02" wire rope.)
- 35 t hook block, 700 kg with one 622 mm Nominal O.D. roller bearing sheave.
(40 USt hook block, 1,881 lb with one 24" Nominal O.D. roller bearing sheaves.)
- 70 t hook block, 900 kg, three 622 mm Nominal O.D. roller bearing bearing sheave.
(90 USt hook block, 4,060 lb, with three 24" Nominal O.D. roller bearing sheaves.)
- 110 t hook block, 1 700 kg, with five 622 mm Nominal O.D. roller bearing sheaves.
(120 USt hook block, 3,760 lb with five 24" Nominal O.D. roller bearing sheaves.)
- Optional: Detachable upper boom point with one 575 mm (22.6") Nominal outer diameter roller bearing steel sheave grooved for 26mm (1.02") rope for liftcrane.

Travel kit
Custom color

Working Weight

Approximately 99,000 kg (218,000 lb) including upperworks and lowerworks, full upper counterweights, full carbody counterweights and 15,2 m (50') basic boom.

Ground Pressure

Approximately 92.9 kPa (13.5 psi) with basic boom and no load.

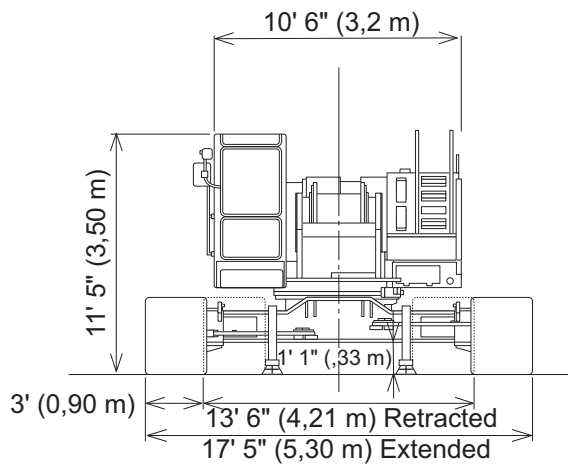
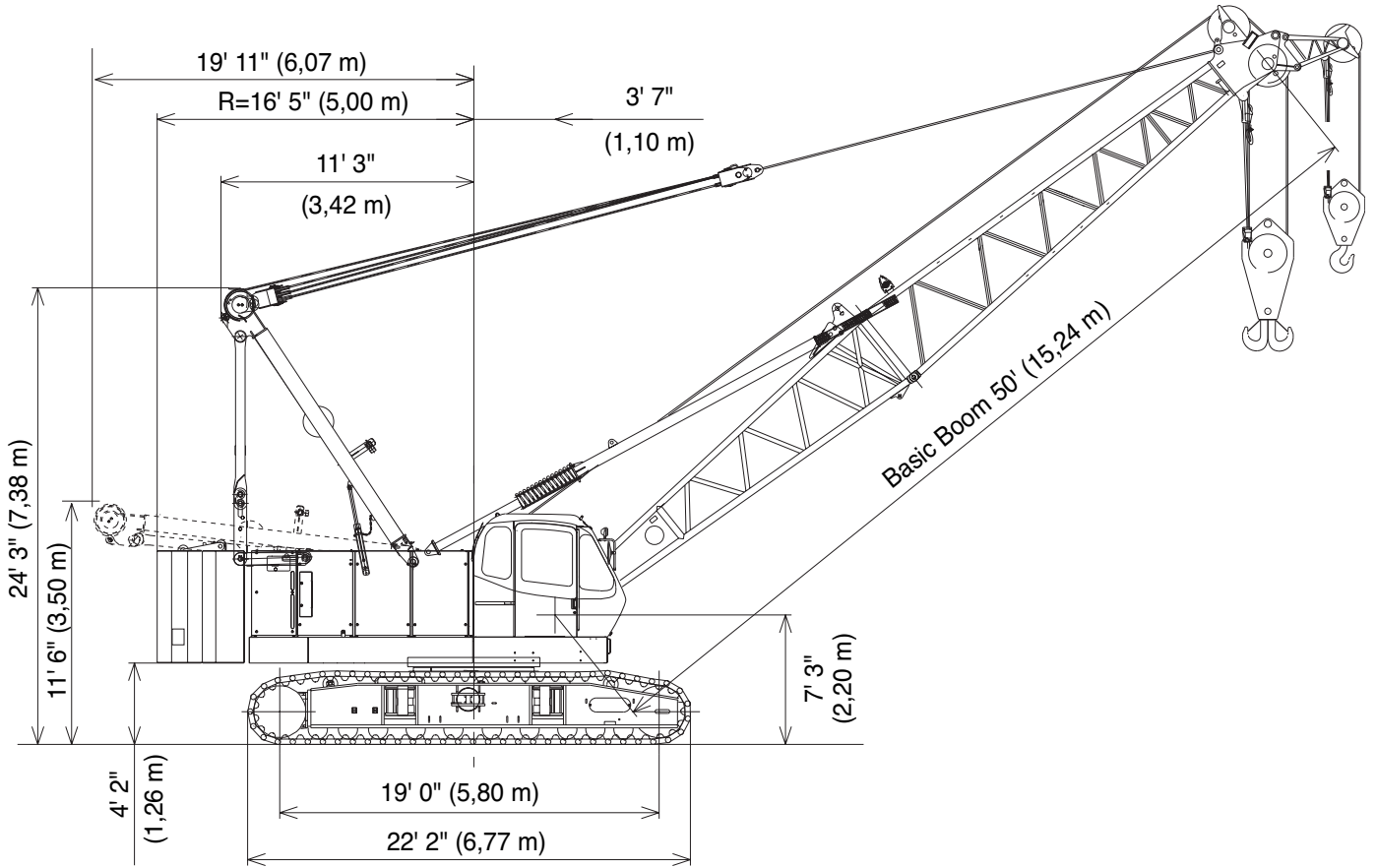
Gradeability

With basic boom: 30%.

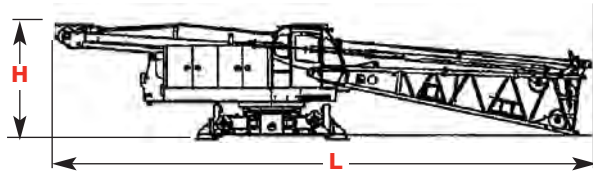
5

outline dimensions

6



outline dimensions

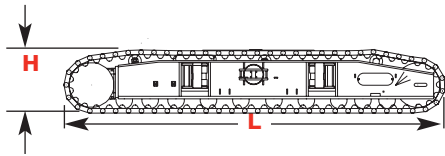


Upperworks without Crawlers x 1

Length	15,12 m	49' 7"
Width	3,24 m	10' 8"
Height	3,15 m	10' 4"
Weight	42 661 kg	94,052 lb

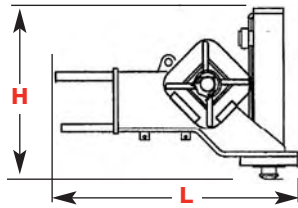
7

Note: Weight includes base machine, gantry, maximum hoist and whip lines on drums, boom butt, full hydraulic fluid reservoir, and one third tank of fuel.



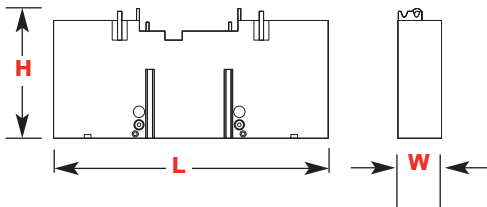
Crawlers x 2

Length	6,77 m	22' 3"
Width	0,90 m	3' 0"
Height	1,15 m	3' 9"
Weight	11 830 kg	26,085 lb



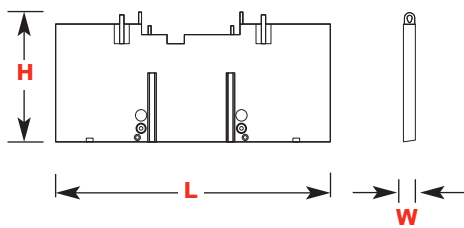
Hydraulic Jack (if removed) x 4

Length	1,36 m	4' 5"
Width	0,32 m	1' 1"
Height	0,96 m	3' 2"
Weight	430 kg	950 lb



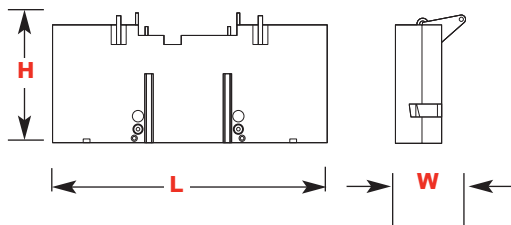
Upper Counterweight A x 1

Length	3,20 m	10' 5"
Width	0,58 m	1' 11"
Height	1,94 m	6' 4"
Weight	10 000 kg	22,050 lb



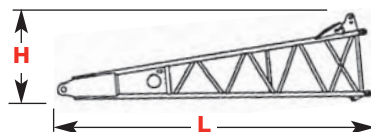
Upper Counterweight B x 2

Length	3,20 m	10' 5"
Width	0,49 m	1' 7"
Height	1,92 m	6' 3"
Weight	7 000 kg	15,435 lb



Upper Counterweight C x 1

Length	3,20 m	10' 5"
Width	0,69 m	2' 3"
Height	1,92 m	6' 3"
Weight	10 000 kg	22,050 lb



Optional 3rd Drum & Wire Rope x 1

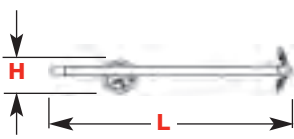
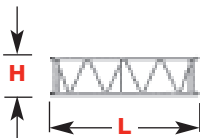
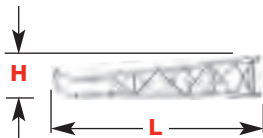
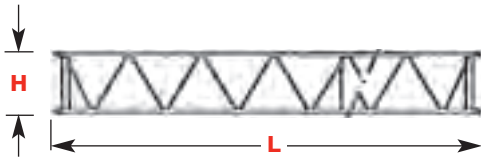
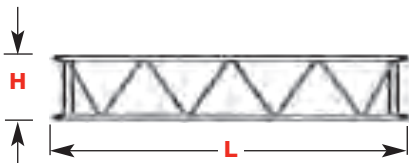
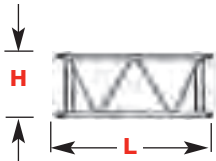
Weight	2 660 kg	5,865 lb
--------	----------	----------

Boom Butt 7.6m (25') x 1

Length	7,79 m	26' 3"
Width	1,68 m	5' 6"
Height	2,06 m	6' 9"
Weight	2 110 kg	4,652 lb

Option

outline dimensions



Boom Top 7.6m (25') x 1

Length	8,32 m	27' 4"
Width	1,68 m	5' 6"
Height	1,69 m	5' 7"
Weight	1 525 kg	3,362 lb

▶ Boom Insert 3,0 m (10') x 1, 2

Length	3,17 m	10' 5"
Width	1,68 m	5' 6"
Height	1,69 m	5' 7"
Weight	380 kg	838 lb

▶ Boom Insert 6,1m (20') x 1, 2

Length	6,22 m	20' 5"
Width	1,68 m	5' 6"
Height	1,69 m	5' 7"
Weight	655 kg	1,445 lb

▶ Boom Insert 12,2 m (40') x 1, 2, 3

Length	12,31 m	40' 5"
Width	1,68 m	5' 6"
Height	1,69 m	5' 7"
Weight	1 195 kg	2,635 lb

Note: Use one "A" type insert with lug required for any boom combinations that require a 12,2 m (40') insert.

▶ Fixed Jib Butt x 1

Length	4,81 m	15' 9"
Width	0,80 m	2' 8"
Height	0,80 m	2' 8"
Weight	200 kg	440 lb

▶ Fixed Jib Top x 1

Length	4,91 m	16' 1"
Width	0,80 m	2' 8"
Height	0,80 m	2' 8"
Weight	280 kg	617 lb

▶ Fixed Jib Insert 3,0 m (10') x 1, 2

Length	3,12 m	10' 3"
Width	0,80 m	2' 8"
Height	0,80 m	2' 8"
Weight	100 kg	220 lb

▶ Fixed Jib Insert 6,1 m (20') x 1, 2

Length	6,16 m	20' 3"
Width	0,80 m	2' 8"
Height	0,80 m	2' 8"
Weight	180 kg	395 lb

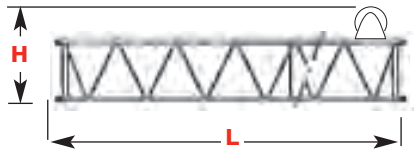
▶ Fixed Jib Strut x 1

Length	3,62 m	11' 11"
Height	0,62 m	2' 0"
Weight	250 kg	550 lb

▶ Option

outline dimensions

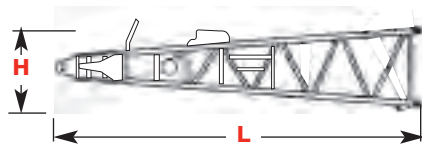
9



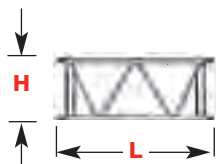
Special Luffing Boom Insert		
9,1 m (30')	x 1	
Length	9,27 m	30' 5"
Width	1,68 m	5' 6"
Height	2,41 m	7' 11"
Weight	1 160 kg	2,558 lb



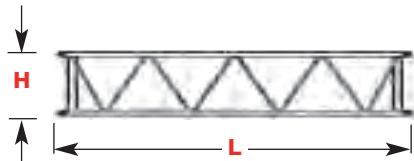
Luffing Jib Top	x 1	
Length	6,91 m	22' 8"
Width	1,50 m	4' 11"
Height	1,48 m	4' 10"
Weight	1 170 kg	2,580 lb



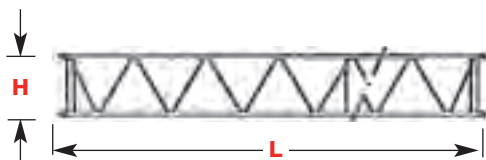
Luffing Jib Butt	x 1	
Length	5,97 m	19' 7"
Width	1,49 m	4' 11"
Height	1,32 m	4' 4"
Weight	863 kg	1,903 lb



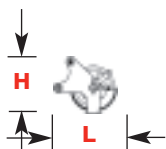
Luffing Jib Insert 3,0 m (10')	x 1, 2	
Length	3,16 m	10' 5"
Width	1,49 m	4' 11"
Height	1,29 m	4' 3"
Weight	310 kg	684 lb



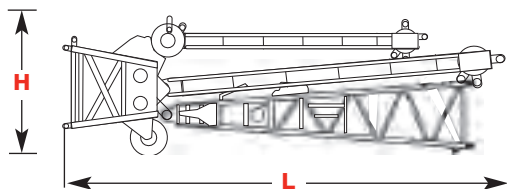
Luffing Jib Insert 6,10 m (20')	x 1, 2	
Length	6,21 m	20' 5"
Width	1,49 m	4' 11"
Height	1,29 m	4' 3"
Weight	540 kg	1,147 lb



Luffing Special Boom Insert		
Luffing Jib Insert 12,2 m (40')	x 1, 2, 3	
Length	12,31 m	40' 4"
Width	1,49 m	4' 11"
Height	1,29 m	4' 3"
Weight	960 kg	2,117 lb



Luffing Jib Point		
Roller Assembly	x 1	
Length	1,01 m	3' 4"
Width	0,89 m	2' 11"
Height	0,91 m	3' 0"
Weight	380 kg	838 lb



Luffing Boom Top Assembly		
(Shipping Style)	x 1	
Length	8,19 m	26' 10"
Height	2,65 m	8' 8"
Weight	3 580 kg	7,895 lb

Option

transport data

10

Trailer Load Out Summary

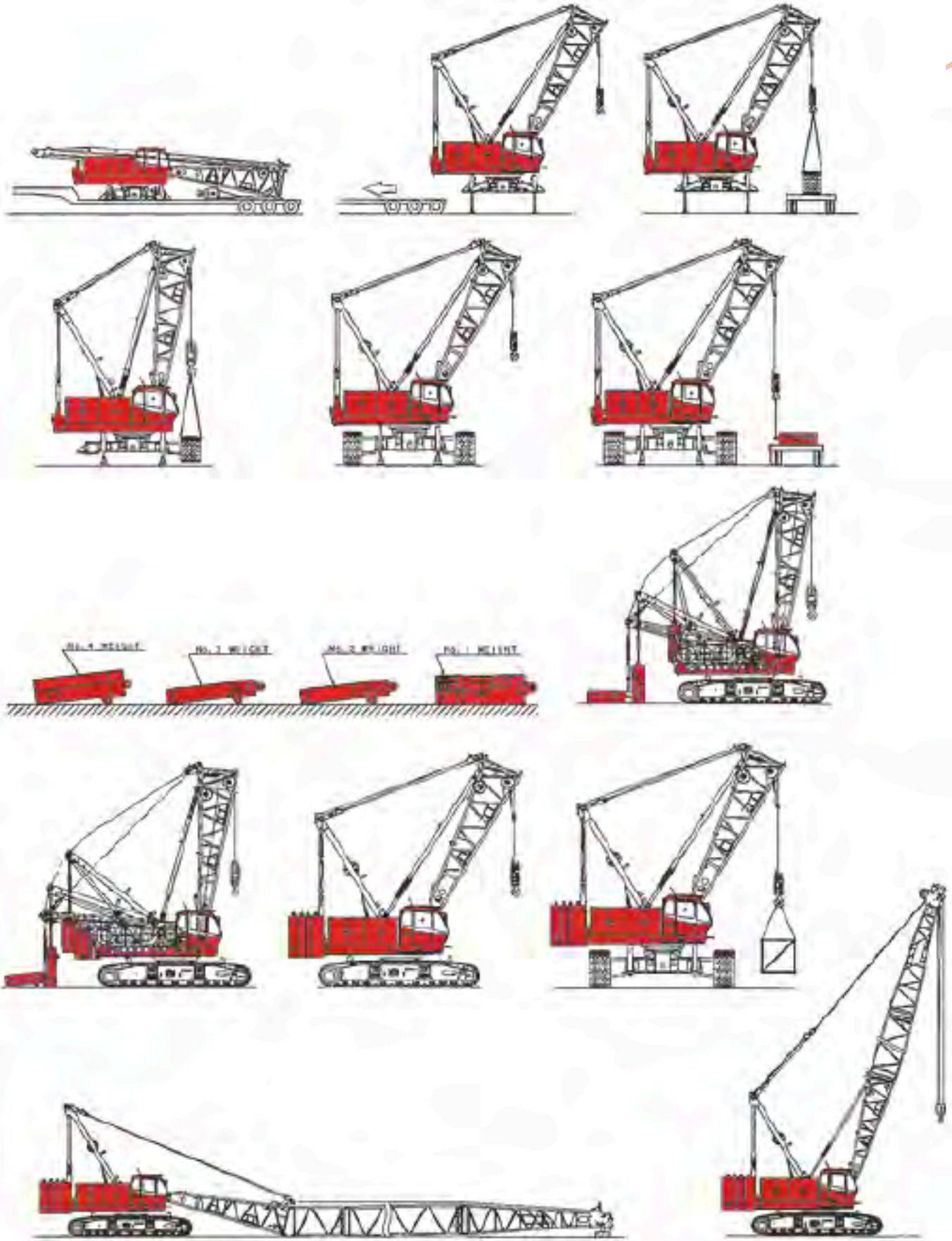
Model 12000

No. 12000 Luffing Jib 39,6 m (130') on No. 260 Boom 38,1 m (125')

Item	Weight each Item kg (lb)	Quantity on Trailer Load #					
		1	2	3	4	5	6
No. 12000 Basic Crane with Crawlers Removed	42 661 (94,052)	1					
Crawler Frame	11 832 (26,085)		1				
Crawler Frame	12 832 (26,085)			1			
Counterweight A	10 000 (22,050)					1	
Counterweight B	7 000 (15,435)				1		
Counterweight B	7 000 (15,435)					1	
Counterweight C	10 000 (22,050)						1
12,2 m (40') No. 12000 Boom Insert, Pendants	1 209 (2,635)		1				
12,2 m (40') No. 12000 Boom Insert, Pendants	1 209 (2,635)			1			
12,2 m (40') No. 12000 Boom Insert, Pendants	1 209 (2,635)				1		
6,1 m (20') No. 12000 Boom Insert, Pendants	655 (1,445)					1	
6,1 m (20') No. 12000 Boom Insert, Pendants	655 (1,445)						1
3,0 m (10') No. 12000 Boom Insert, Pendants	380 (838)		1				
3,0 m (10') No. 12000 Boom Insert, Pendants	380 (838)					1	
Standard Boom Top 7,6 m (25')	1,525 (3,362)						1
Upper Boom Point	501 (1,105)			1			
4,6 m (15') No. 12000 Fixed Jib Top	280 (617)				1		
4,6 m (15') No. 12000 Fixed Jib Butt	134 (440)						1
6,1 m (20') No. 12000 Fixed Jib Insert	179 (395)				1		
6,1 m (20') No. 12000 Fixed Jib Insert	179 (395)						1
Approximate Total Shipping Weight kg (lb)		42 661 (94,052)	13 594 (29,558)	13 528 (29,825)	8 655 (19,082)	18 038 (39,768)	12 561 (27,692)

crane assembly

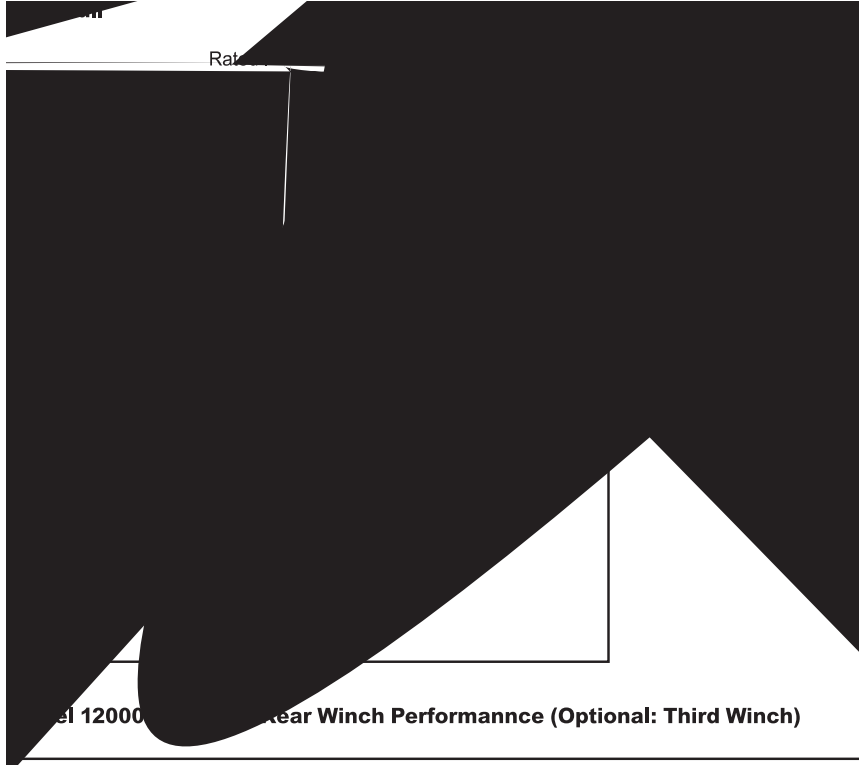
11



model 12000
Manitowoc

performance data

12



Model 12000 Rear Winch Performance (Optional: Third Winch)

		Line speed (ft/min)					
Layer		1	2	3	4	5	6
Line Pull (lbs)							
	0						
	5,000						
	10,000						
	15,000						
	20,000						
Rated Line pull	25,000						
	30,000						
	35,000						
	40,000						

		Line speed (m/min)					
Layer		1	2	3	4	5	6
Line Pull (kg)							
	0						
	2 268						
	4 536						
	6 804						
	9 072						
Rated Line pull	11 340						
	13 608						
	15 876						
	18 144						

Note:
 Line speeds and line pull based on single line.
 Line pulls are not based on wire rope strength.

load chart notes

13

- Rated loads included in the charts are the maximum allowable freely suspended loads at a given boom length, boom angle and load radius, and have been determined for the machine standing level on firm supporting surface under ideal operating conditions. The user must limit or de-rate rated loads to allow for adverse conditions (such as soft or uneven ground, out-of-level conditions, wind, side loads, pendulum action, jerking or sudden stopping of loads, inexperience of personnel, multiple machine lifts, and traveling with a load).
- Capacities do not exceed 75% of minimum tipping loads. Capacities based on factors other than machine stability such as structural competence are shown by asterisk * in the charts located in the operator's crane cab.
- The machine must be reeved and set-up as stated in the operation manual and all the instruction manuals. If these manuals are missing, obtain replacements. Boom backstops are required for all boom lengths. Gantry must be in the fully raised position for all operations. Crawlers must be fully extended and be locked in position. The crane must be leveled to within 1% on a firm supporting surface.
- Do not attempt to lift where no radius or load is listed as crane may tip or collapse.
- Attempting to lift more than rated loads may cause machine to tip or collapse. Do not tip machine to determine capacity.
- Weight of hooks, hook blocks, slings and other lifting devices are a part of the total load. Their total weight must be subtracted from the rated load to obtain the weight that can be lifted.
- When lifting over boom point with jib or upper boom point installed, rated loads for the boom must be deducted as shown below.

Jib length m (ft)	Upper Boom Point	9,1 (30)	12,2 (40)	15,2 (50)	18,3 (60)	21,3 (70)
Deduct kg (lbs)	318 (700)	1 100 (2,400)	1 500 (3,200)	2 000 (4,200)	2 400 (5,200)	2 900 (6 200)

When lifting over luffing jib point with luffing jib roller assembly or pin connected boom point sheave (on the luffing boom top) attached, rated loads for the jib and sheave must be deducted as shown below.

	Luffing Jib Point Roller	Pin Connected Boom Point Sheave
Deduct kg (lbs)	386 (850)	218 (480)

- The total load that can be lifted by the fixed jib is limited by rated jib loads. The total load that can be lifted with the upper boom point is limited by rated upper boom point loads.
- Boom lengths for fixed jib mounting are 27,4 m (90 ft) to 61,0 m (200 ft).
- The total load that can be lifted by the upper boom point is: the rated load for the luffing jib (without upper boom point installed) minus 386 kg (850 lbs); however, the upper boom point rated load should not exceed 11 300 kg (25,000 lbs).

- An upper boom point cannot be used on a 70,1 m (230 ft) boom length.
- The boom should be erected over the front of the crawlers, not laterally.
- Least stable position is over the side.
- Maximum hoist load for number of reeving parts of line for hoist rope.

Maximum Load for Main Boom

No. of Parts of Line	1	2	3	4	5
Maximum Loads kg (lbs)	11 300 (25,000)	22 600 (50,000)	33 900 (75,000)	45 200 (100,000)	56 500 (125,000)

No. of Parts of Line	6	7	8	9	10
Maximum Loads m (lbs)	67 800 (150,000)	79 100 (175,000)	90 400 (200,000)	101 700 (225,000)	110 000 (240,000)

Maximum Load for Luffing Jib

No. of Parts of Line	1	2	3	4
Maximum Loads kg (lbs)	11 300 (25,000)	22 600 (50,000)	33 900 (75,000)	36 200 (80,000)

Maximum Load for Fixed Jib

No. of Parts of Line	1
Maximum Loads m (lbs)	10 800 (24,000)

Maximum Load for Upper Boom Point (On Liftcrane Boom)

No. of Parts of Line	1	2
Maximum Loads kg (lbs)	11 300 (25,000)	22 600 (50,000)

Maximum Load for Upper Boom Point (On Luffing Jib)

No. of Parts of Line	1
Maximum Loads kg (lbs)	11 300 (25,000)

Minimum Weight of Hook Block Required for Lowering. (Luffing Jib Use)

No. of Parts of Line	1	2	3	4
Maximum Loads m (lbs)	272 (600)	544 (1,200)	680 (1,500)	800 (1,800)

- Lifting capacities listed apply only to the machine as originally manufactured for and supplied by Manitowoc Cranes, Inc. Modifications to this machine or use of equipment other than that specified can reduce operating capacity.
- Designed and rated to comply with ANSI Code B30.5.

Operation of this equipment in excess of rated loads or disregard of instruction voids the warranty.

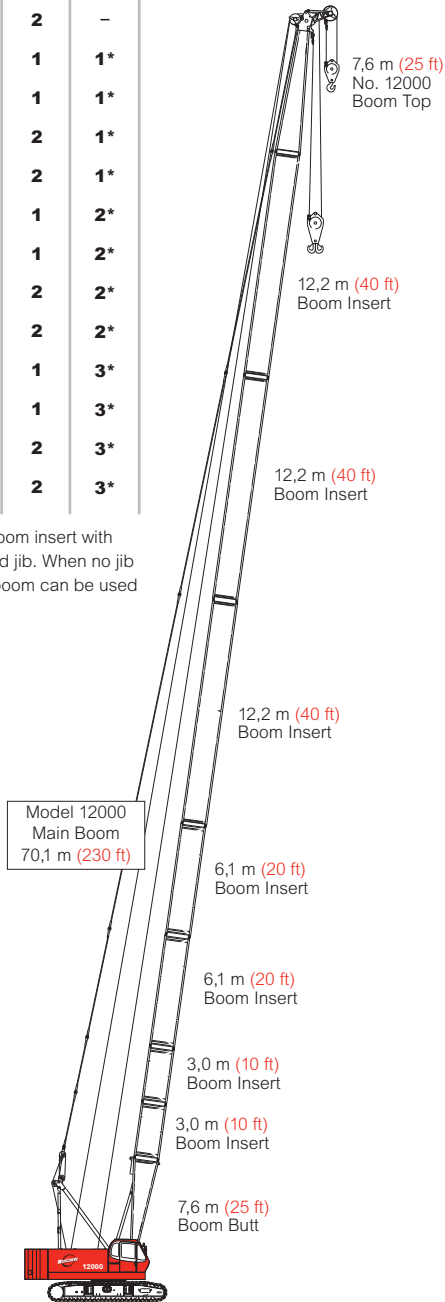
boom combinations

14

No. 12000 Heavy-Lift Boom Combinations

Boom Length m (ft)	Boom Inserts		
	3,1 m (10 ft)	6,1 m (20 ft)	12,2 m (40 ft)
15,2 (50)	-	-	-
18,3 (60)	1	-	-
21,3 (70)	2	1	-
24,4 (80)	1	1	-
27,4 (90)	2	1	-
30,5 (100)	1	2	-
33,5 (110)	2	2	-
36,6 (120)	1	1	1*
39,6 (130)	2	1	1*
42,7 (140)	1	2	1*
45,7 (150)	2	2	1*
48,8 (160)	1	1	2*
51,8 (170)	2	1	2*
54,9 (180)	1	2	2*
57,9 (190)	2	2	2*
61,0 (200)	1	1	3*
64,0 (210)	2	1	3*
67,0 (220)	1	2	3*
70,1 (230)	2	2	3*

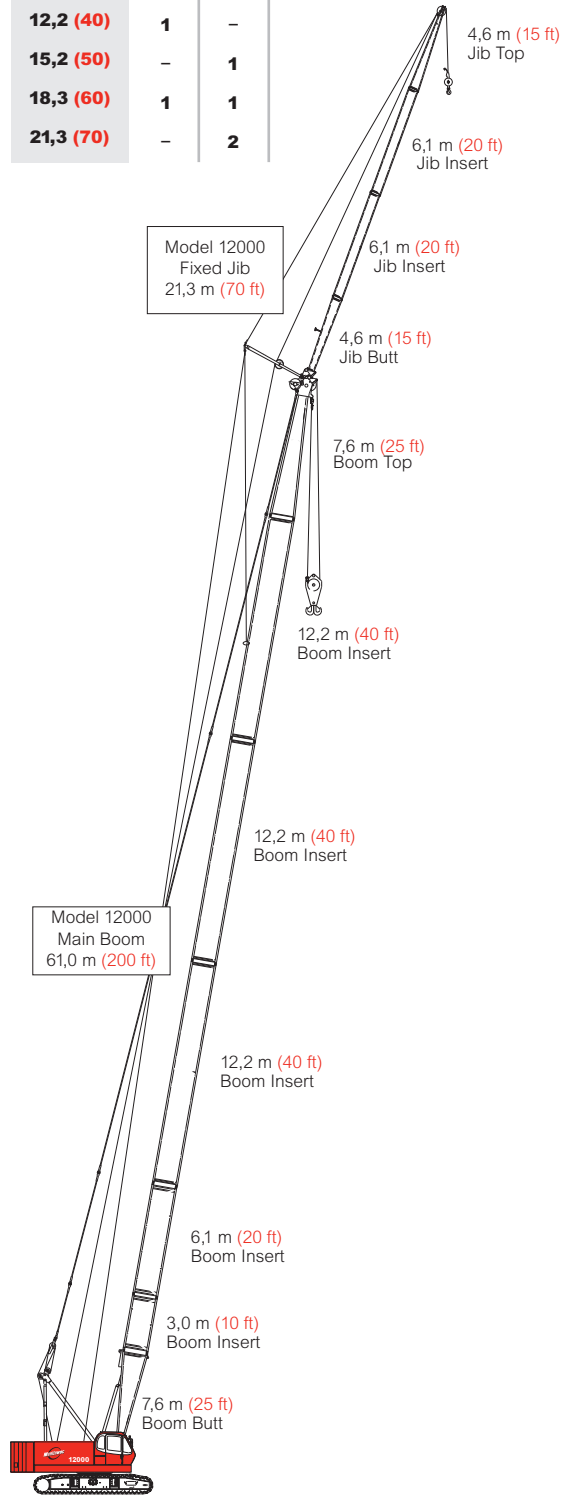
*Note: One 40 ft. (12,2 m) boom insert with lug (40A) is required for fixed jib. When no jib is installed a 40 ft (12,2 m) boom can be used instead of 40A.



**Model 12000
Main Boom
70,1 m (230 ft)**

No. 12000 Fixed Jib Combinations

Jib Length m (ft)	Fixed Jib Inserts	
	3,1m (10 ft)	6,1m (20 ft)
9,1 (30)	-	-
12,2 (40)	1	-
15,2 (50)	-	1
18,3 (60)	1	1
21,3 (70)	-	2



**Model 12000
Fixed Jib on Main Boom
82,3 m (270 ft)**

boom combinations

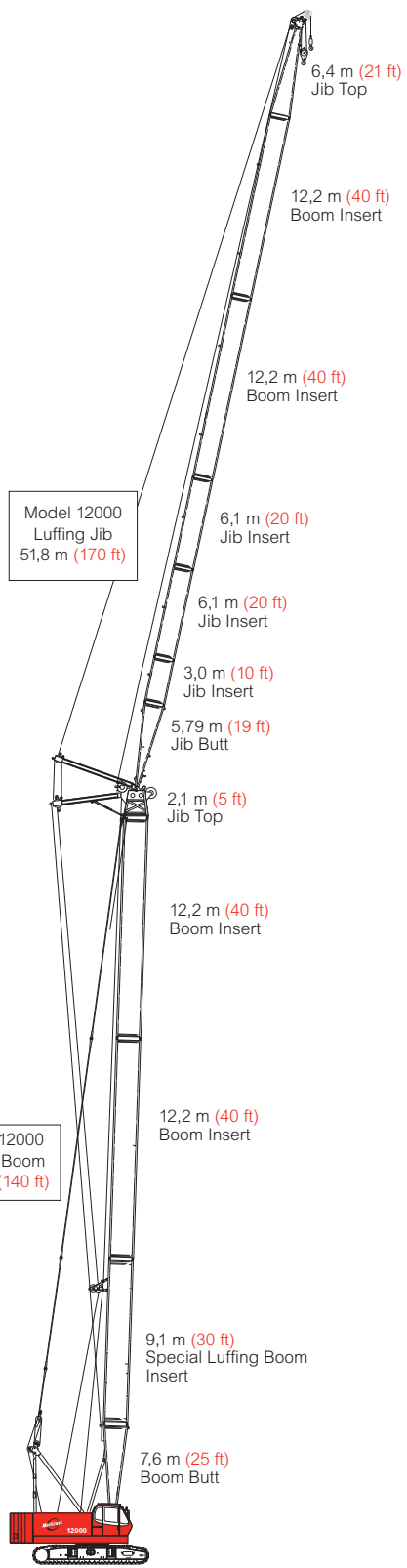
No. 12000 Luffing Jib Combinations

Luffing Jib Length m (ft)	Boom Inserts		
	3,0 m (10 ft)	6,1 m (20 ft)	12,2 m (40 ft)
18,3 (60)	-	-	-
21,3 (70)	1	-	-
24,4 (80)	2	-	-
27,4 (90)	1	1	-
30,5 (100)	2	1	-
33,5 (110)	1	-	1
36,6 (120)	2	-	1
39,6 (130)	1	1	1
42,7 (140)	2	1	1
45,7 (150)	1	-	2
48,8 (160)	2	-	2
51,8 (170)	1	1	2

No. 12000 Luffing Boom Combinations

Luffing Boom Length m (ft)	Boom Inserts			
	3,0 m (10 ft)	6,1 m (20 ft)	9,1 m (30 ft)	12,2 m (40 ft)
18,3 (60)	-	-	1*	-
21,3 (70)	1	-	1*	-
24,3 (80)	2	-	1*	-
27,4 (90)	1	1	1*	-
30,5 (100)	2	1	1*	-
33,5 (110)	1	2	1*	-
36,6 (120)	2	2	1*	-
39,6 (130)	1	1	1*	1
42,7 (140)	2	1	1*	1
45,7 (150)	1	2	1*	1

*Note: One 9,14 m (30') special luffing boom insert is required for luffing boom.

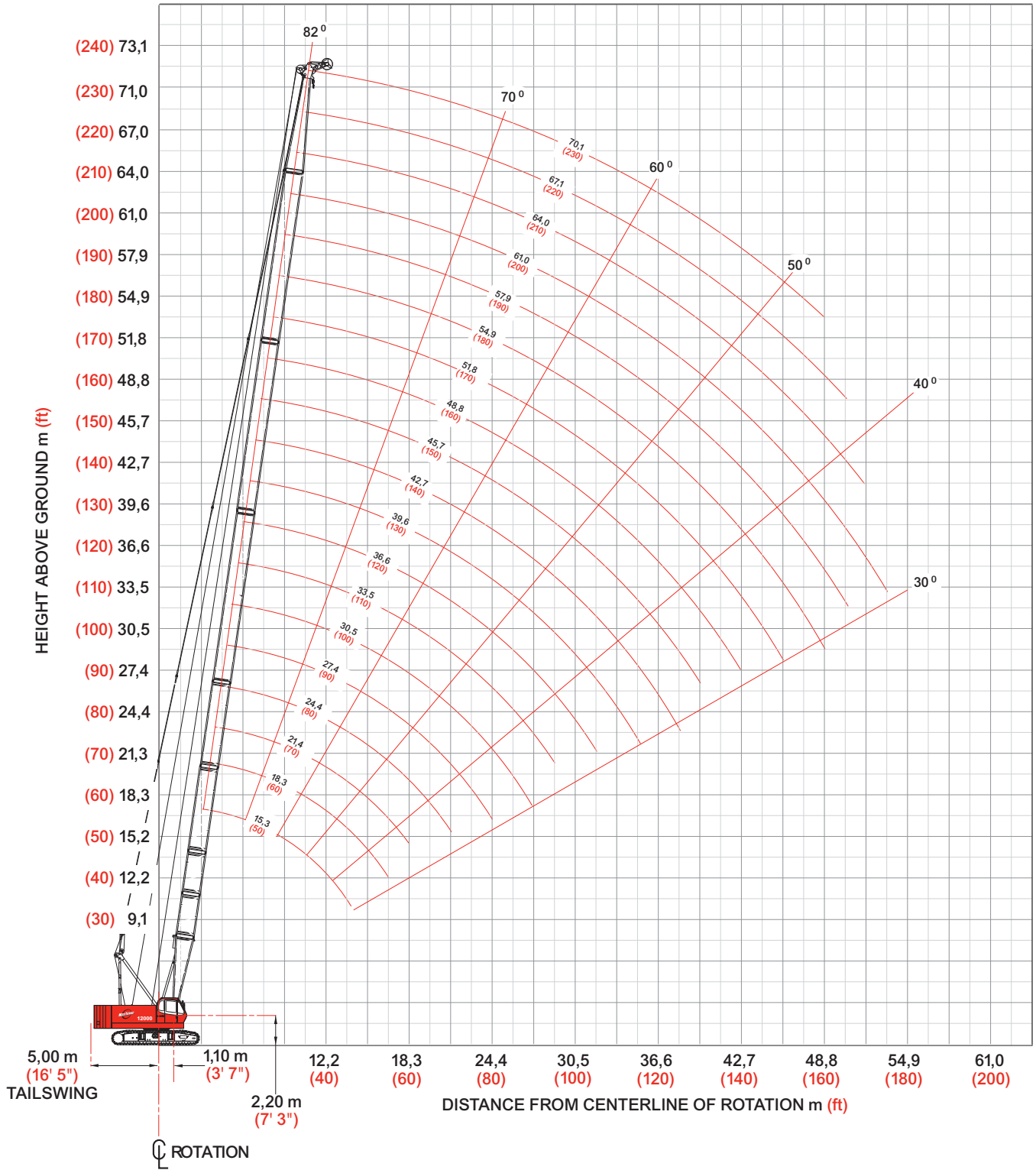


Model 12000 Luffing Jib on Luffing Boom 94,5 m (310 ft)

heavy-lift boom range diagram

No. 12000 Main Boom

16



heavy-lift load charts

17

Model 12000 Liftcrane Boom Capacities

No. 12000 Main Boom

34 000 kg (75,000 lb) Upper Counterweight

360° Rating

kg (lb) x 1 000

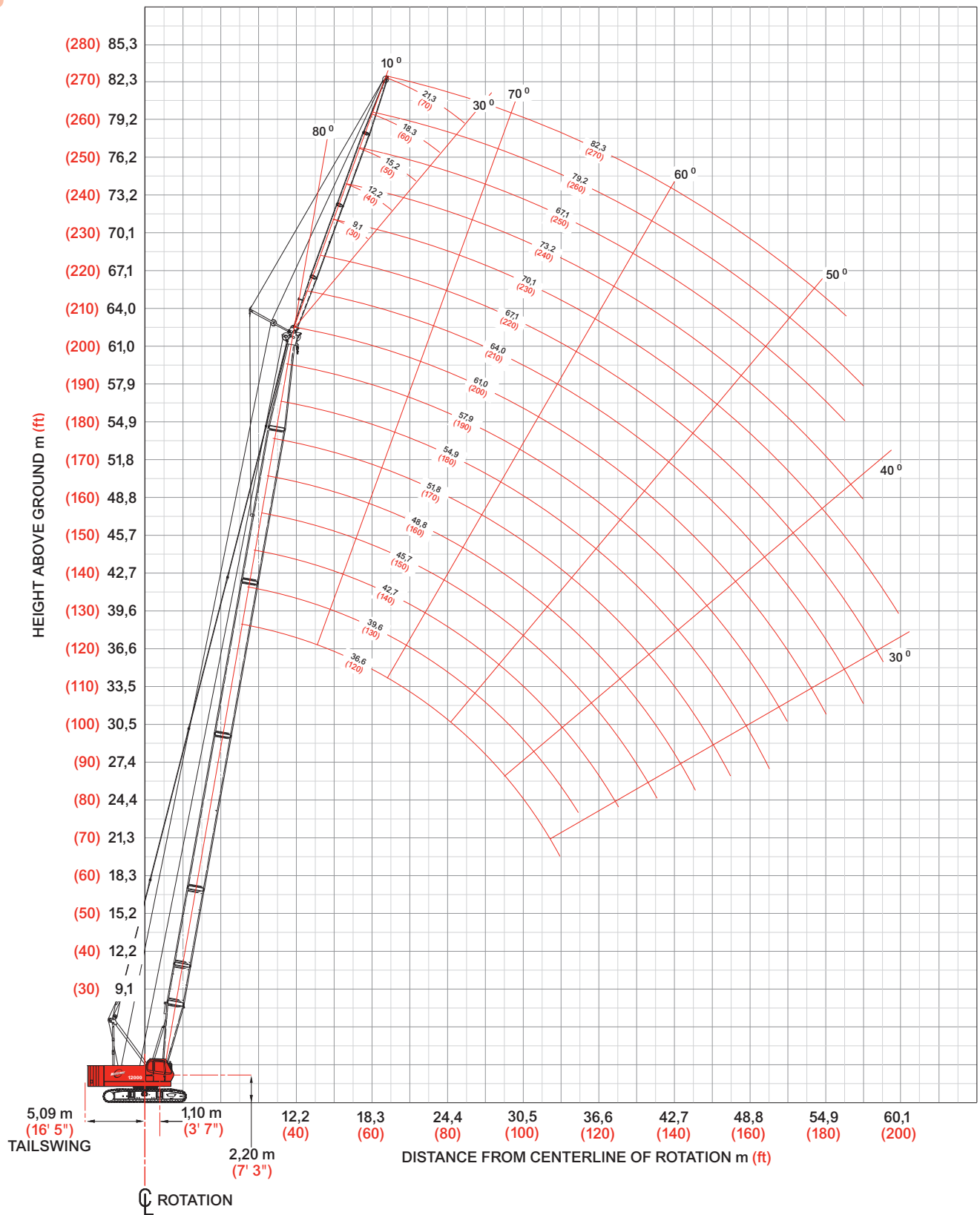
Boom m (ft)	15,2 (50)	18,3 (60)	21,3 (70)	24,4 (80)	27,4 (90)	30,5 (100)	33,5 (110)	36,6 (120)	39,6 (130)	42,7 (140)	45,7 (150)	48,8 (160)	51,8 (170)	54,9 (180)	57,9 (190)	61,0 (200)	64,0 (210)	67,1 (220)	70,1 (230)	
Radius																				
3,6 (12)	110,0 (240.0)																			
4,0 (14)	99,1 (206.0)	— (204.0)																		
4,5 (16)	88,4 (177.0)	87,6 (177.0)	86,2 (177.0)																	
5,5 (18)	68,0 (150.0)	67,9 (150.0)	67,9 (150.0)	68,0 (150.0)	67,9 (150.0)															
6,0 (20)	62,0 (135.0)	61,9 (135.0)	61,9 (135.0)	62,0 (135.0)	61,9 (135.0)	61,9 (135.0)														
7,0 (24)	53,6 (111.9)	53,6 (111.7)	53,6 (111.7)	53,6 (111.5)	53,6 (111.5)	53,1 (111.3)	53,0 (111.3)	53,3 (111.1)	— (100.0)											
8,0 (28)	44,5 (89.5)	44,3 (89.2)	44,3 (89.0)	44,3 (88.8)	44,3 (88.8)	44,2 (88.6)	44,1 (88.4)	44,1 (88.4)	44,0 (88.1)	43,9 (87.9)	— (87.7)									
10,0 (34)	32,8 (68.3)	32,2 (68.1)	32,2 (67.9)	32,2 (67.4)	32,2 (67.4)	32,1 (67.2)	32,0 (67.0)	32,0 (67.0)	31,9 (66.7)	31,8 (66.5)	31,7 (66.3)	31,7 (66.3)	31,6 (66.1)	31,5 (65.9)	30,0 (65.4)					
12,0 (40)	25,6 (55.1)	25,6 (54.6)	25,3 (54.4)	25,3 (54.2)	24,6 (54.0)	24,9 (53.7)	24,8 (53.5)	24,8 (53.5)	24,7 (53.3)	24,6 (53.1)	24,4 (52.6)	24,5 (52.9)	24,3 (52.4)	24,2 (52.2)	24,1 (52.0)	22,6 (50.0)	22,6 (50.0)	21,3 (46.7)	19,5 (42.7)	
14,0 (45)	— (47.1)	20,5 (46.7)	20,5 (46.5)	20,5 (46.2)	20,5 (46.0)	20,3 (45.8)	20,2 (45.6)	20,2 (45.6)	20,1 (45.4)	20,0 (45.1)	19,8 (44.7)	19,9 (44.9)	19,7 (44.5)	19,6 (44.3)	19,5 (44.0)	19,5 (44.0)	19,4 (43.8)	19,2 (43.4)	17,9 (40.1)	
16,0 (55)		17,0 (36.1)	17,0 (35.9)	17,0 (35.4)	17,0 (35.4)	17,0 (35.0)	16,9 (34.8)	16,8 (34.8)	16,8 (34.6)	16,6 (34.3)	16,5 (33.9)	16,5 (33.9)	16,4 (33.7)	16,2 (33.2)	16,1 (33.0)	16,1 (33.0)	16,0 (32.8)	15,9 (32.6)	15,7 (32.1)	
22,0 (75)					11,5 (23.5)	11,0 (23.1)	11,0 (22.9)	10,9 (22.7)	10,8 (22.4)	10,6 (22.2)	10,5 (21.8)	10,5 (21.8)	10,4 (21.6)	10,2 (21.1)	10,0 (20.9)	10,1 (20.9)	10,0 (20.7)	9,8 (20.2)	9,6 (20.0)	
28,0 (95)							7,9 (16.5)	7,8 (16.3)	7,7 (16.0)	7,5 (15.6)	7,4 (15.4)	7,4 (15.4)	7,2 (14.9)	7,0 (14.7)	6,9 (14.3)	6,9 (14.3)	6,8 (14.1)	6,7 (13.8)	6,5 (13.4)	
32,0 (105)								6,4 (14.1)	6,3 (13.8)	6,1 (13.4)	6,0 (13.2)	6,0 (13.2)	5,8 (12.7)	5,6 (12.3)	5,5 (12.1)	5,5 (12.1)	5,4 (11.9)	5,2 (11.4)	5,1 (11.2)	
34,0 (115)									5,8 (12.1)	5,5 (11.6)	5,4 (11.2)	5,4 (11.2)	5,2 (11.0)	5,0 (10.5)	4,9 (10.1)	5,0 (10.3)	4,8 (9.9)	4,6 (9.7)	4,5 (9.2)	
38,0 (125)										4,7 (10.3)	4,5 (9.9)	4,4 (9.7)	4,3 (9.4)	4,1 (9.0)	4,0 (8.8)	4,0 (8.8)	3,8 (8.3)	3,6 (7.9)	3,4 (7.4)	
40,0 (135)												4,1 (8.5)	3,9 (8.1)	3,7 (7.7)	3,5 (7.2)	3,5 (7.2)	3,4 (6.8)	3,2 (6.6)	3,0 (6.1)	
44,0 (145)													3,2 (7.0)	3,0 (6.6)	2,8 (6.1)	2,8 (6.1)	2,6 (5.7)	2,4 (5.2)	2,2 (4.8)	
46,0 (155)														2,7 (5.7)	2,5 (5.2)	2,5 (5.0)	2,3 (4.6)	2,1 (4.4)	1,9 (3.9)	
50,0 (165)															2,0 (4.4)	1,9 (4.1)	1,7 (3.7)	1,6 (3.5)		
53,3 (175)																1,6 (3.5)				

Meets ANSI B30.5 Requirements - Capacities do not exceed 75% of static tipping load.
 NOTICE: This capacity chart is for reference only and must not be used for lifting purposes.

fixed jib range diagram

No. 12000 Fixed Jib on Main Boom

18



fixed jib load charts

19

Model 12000 Series 2 Liftcrane Fixed Jib Capacities No. 12000 Fixed Jib on Main Boom

34 000 kg (75,000 lb) Counterweight

360° Rating

kg (lb) x 1 000

		10° Offset					30° Offset				
		27,4 m (ft)	36,6 m (ft)	48,8 m (ft)	54,9 m (ft)	61,0 m (ft)	27,4 m (ft)	36,6 m (ft)	48,8 m (ft)	54,9 m (ft)	61,0 m (ft)
Jib 9,1 m (30 ft)	Radius										
	10,0 (30)	10,8 (24.0)									
	12,0 (40)	10,8 (24.0)	10,8 (24.0)				— (21.0)				
	14,0 (50)	10,8 (24.0)	10,8 (24.0)	10,8 (24.0)	— (24.0)	— (24.0)	9,5 (21.0)	9,5 (21.0)			
	18,0 (60)	10,8 (24.0)	10,8 (24.0)	10,8 (24.0)	10,8 (24.0)	10,8 (24.0)	9,5 (21.0)	9,5 (21.0)	9,5 (21.0)	9,5 (21.0)	— (21.0)
	24,0 (80)	10,1 (21.9)	9,7 (21.1)	9,3 (20.1)	9,0 (19.8)	8,8 (19.0)	8,6 (18.9)	9,4 (20.8)	9,4 (20.8)	9,2 (20.2)	9,1 (19.9)
	30,0 (100)	7,4 (16.1)	7,1 (15.3)	6,6 (14.2)	6,3 (13.6)	6,1 (13.1)		7,2 (15.6)	6,8 (14.7)	6,5 (14.1)	6,4 (13.7)
	36,0 (120)		5,3 (11.6)	4,8 (10.4)	4,5 (9.8)	4,3 (9.3)			5,0 (10.7)	4,7 (10.2)	4,5 (9.7)
	42,0 (140)			3,6 (7.8)	3,3 (7.1)	3,0 (6.5)				3,4 (7.4)	3,2 (7.0)
	48,0 (160)			2,7 (5.8)	2,3 (4.9)	2,0 (4.2)					2,3 (—)
	52,0 (175)			2,2 (—)	1,7 (3.6)	1,5 (—)					
	56,0 (185)										

		27,4 m (ft)	36,6 m (ft)	48,8 m (ft)	54,9 m (ft)	61,0 m (ft)	27,4 m (ft)	36,6 m (ft)	48,8 m (ft)	54,9 m (ft)	61,0 m (ft)
Jib 15,2 m (50 ft)	Radius										
	10,0 (30)	9,0 (—)									
	12,0 (40)	9,0 (20.0)	9,0 (—)								
	14,0 (50)	9,0 (20.0)	9,0 (20.0)	9,0 (20.0)							
	18,0 (60)	9,0 (20.0)	9,0 (20.0)	9,0 (20.0)	9,0 (20.0)	9,0 (20.0)	5,1 (11.4)	5,1 (11.4)	5,1 (—)		
	24,0 (80)	7,7 (16.8)	8,9 (19.5)	9,0 (20.0)	9,0 (20.0)	8,9 (19.7)	5,1 (11.2)	5,1 (11.2)	5,1 (11.4)	5,1 (11.4)	5,1 (11.4)
	30,0 (100)	6,2 (13.6)	7,2 (15.7)	6,8 (14.7)	6,5 (14.1)	6,3 (13.6)	4,4 (9.8)	4,8 (10.6)	5,1 (11.4)	5,1 (11.4)	5,1 (11.4)
	36,0 (120)	5,2 (11.5)	5,5 (11.9)	5,0 (10.8)	4,7 (10.2)	4,5 (9.8)		4,3 (9.6)	4,7 (10.4)	4,9 (10.8)	4,9 (10.6)
	42,0 (140)		4,3 (9.3)	3,8 (8.2)	3,5 (7.5)	3,3 (7.1)			4,0 (8.6)	3,7 (8.1)	3,6 (7.7)
	48,0 (160)			2,9 (6.2)	2,5 (5.4)	2,2 (4.7)				2,7 (5.9)	2,5 (5.3)
	52,0 (175)			2,3 (4.9)	1,9 (4.0)	1,6 (3.3)					1,9 (3.8)
	58,0 (185)			1,8 (4.1)							

Meets ANSI B30.5 Requirements - Capacities do not exceed 75% of static tipping load.
NOTICE: This capacity chart is for reference only and must not be used for lifting purposes.

fixed jib load charts

20

Model 12000 Series 2 Liftcrane Fixed Jib Capacities No. 12000 Fixed Jib on Main Boom

34 000 kg (75,000 lb) Counterweight

360° Rating

kg (lb) x 1 000

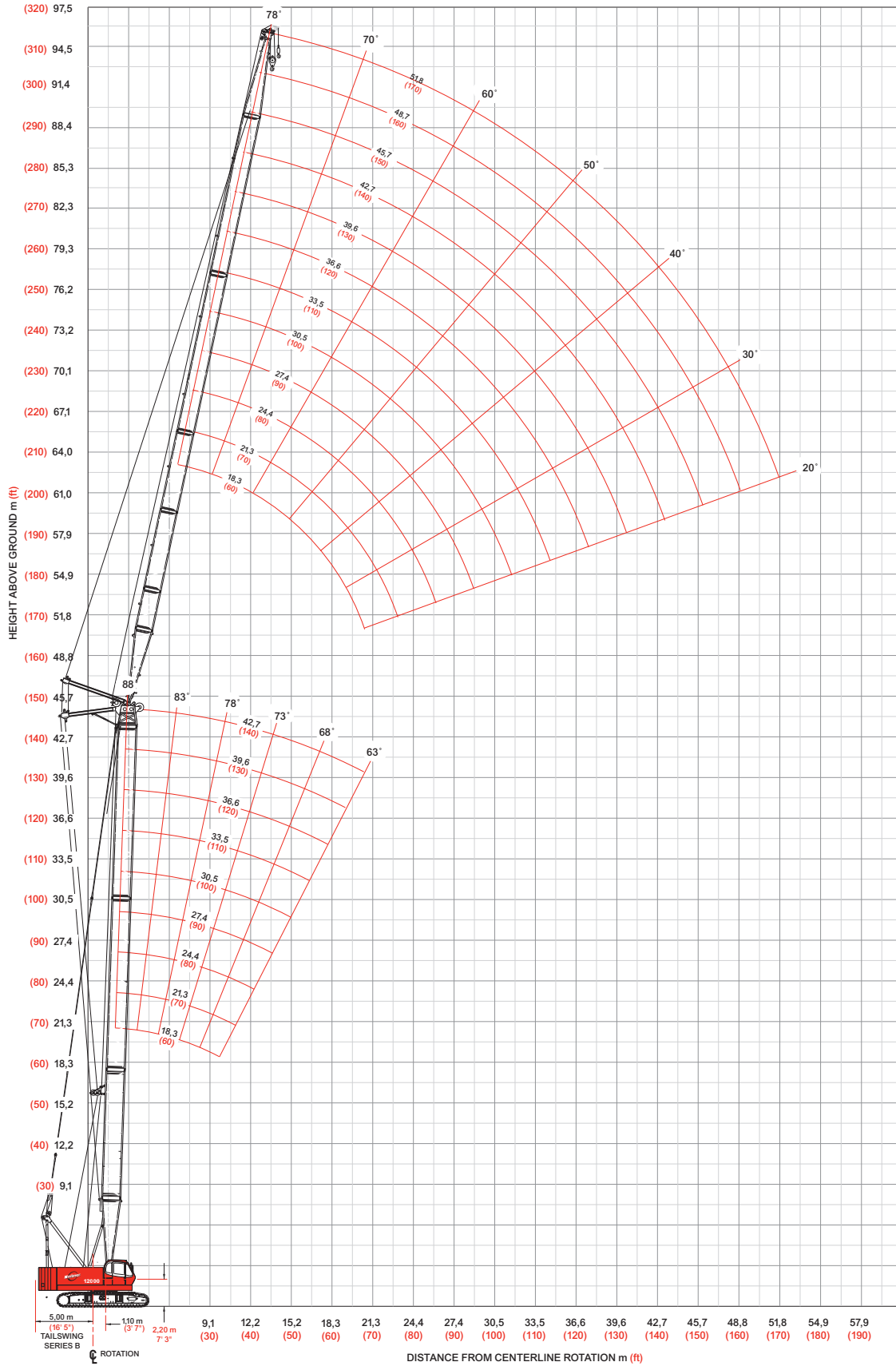
		10° Offset					30° Offset					
Boom		27,4	36,6	48,8	54,9	61,0	Boom	27,4	36,6	48,8	54,9	61,0
m (ft)		(90)	(120)	(160)	(180)	(200)	m (ft)	(90)	(120)	(160)	(180)	(200)
Jib 21,3 m (70 ft)	Radius											
	12,0	7,1					12,0					
	(45)	(15.7)					(45)					
	18,0	6,7	6,8	6,9	7,0	7,1	18,0	3,6				
	(60)	(14.8)	(15.1)	(15.4)	(15.6)	(15.7)	(60)	(—)				
	22,0	6,4	6,6	6,7	6,8	6,9	22,0	3,6	3,6			
	(75)	(13.9)	(14.4)	(14.8)	(15.0)	(15.1)	(75)	(8.1)	(8.1)			
	26,0	5,5	6,3	6,5	6,6	6,7	26,0	3,5	3,6	3,6	3,6	3,6
	(90)	(11.5)	(13.3)	(14.3)	(14.4)	(14.6)	(90)	(7.6)	(8.1)	(8.1)	(8.1)	(8.1)
	32,0	4,4	5,1	6,0	6,0	5,8	32,0	3,0	3,3	3,5	3,6	3,6
	(110)	(9.4)	(10.9)	(12.7)	(12.3)	(11.9)	(110)	(6.5)	(7.0)	(7.6)	(7.8)	(8.0)
	38,0	3,7	4,3	4,7	4,4	4,2	38,0	2,7	2,9	3,1	3,2	3,3
(130)	(7.9)	(9.2)	(9.7)	(9.1)	(8.6)	(130)	(—)	(6.3)	(6.9)	(7.1)	(7.3)	
44,0	3,2	3,7	3,6	3,3	3,1	44,0		2,6	2,9	3,0	3,0	
(145)	(7.1)	(8.2)	(7.9)	(7.2)	(6.8)	(145)		(5.9)	(6.4)	(6.6)	(6.8)	
50,0		3,2	2,7	2,4	2,0	50,0			2,6	2,7	2,5	
(170)		(6.8)	(5.6)	(4.7)	(4.1)	(170)			(5.9)	(5.5)	(4.9)	
54,0			2,2	1,8		54,0				2,1	1,8	
(180)			(4.8)	(3.9)		(180)				(4.5)	(3.9)	
56,0			2,0	1,6		56,0					1,6	
(190)			(4.0)	(—)		(190)					(—)	
60,0			1,6			60,0						
(200)			(3.3)			(200)						

Meets ANSI B30.5 Requirements - Capacities do not exceed 75% of static tipping load.
NOTICE: This capacity chart is for reference only and must not be used for lifting purposes.

luffing jib range diagram

No. 12000 Luffing Jib on Luffing Boom

21



luffing jib load charts

22

Model 12000 Series 2 Liftcrane Luffing Jib Capacities

No. 12000 Luffing Jib on Luffing Boom

34 000 kg (75,000 lb) Counterweight

360° Rating

kg (lb) x 1 000

88° Boom Angle

	Boom m (ft)	18,2 (60)	24,4 (80)	30,5 (100)	36,6 (120)	45,7 (150)
Luffing Jib Length 18,3 m (60 ft)	Radius					
	7,9 (26)	36,2 (80.0)	— (80.0)			
	9,0 (30)	31,9 (69.3)	31,9 (69.3)	31,9 (69.3)	31,9 (69.3)	19,5 (42.5)
	10,0 (36)	28,8 (57.7)	28,7 (57.7)	28,7 (57.7)	28,7 (57.7)	17,9 (36.4)
	14,0 (45)	20,4 (46.2)	20,5 (46.2)	20,5 (46.2)	20,5 (46.2)	12,9 (29.1)
	18,0 (65)	14,1 (—)	14,4 (26.9)	14,6 (27.3)	14,8 (27.6)	9,5 (18.3)
	20,0 (80)	11,2 (—)	11,3 (—)	11,5 (—)	11,8 (—)	7,9 (—)
	24,0 (80)					
	30,0 (100)					
	36,0 (120)					
Luffing Jib Length 30,5 m (100 ft)	Radius					
	7,9 (26)					
	9,0 (30)					
	10,0 (36)	— (57.7)				
	14,0 (45)	20,5 (46.2)	20,5 (46.2)	20,5 (46.2)	20,5 (46.2)	12,6 (28.4)
	18,0 (65)	14,7 (28.0)	15,0 (28.4)	15,2 (28.9)	15,4 (29.1)	9,6 (19.0)
	24,0 (80)	9,4 (20.3)	9,4 (20.3)	9,5 (20.5)	9,6 (20.7)	6,6 (14.3)
	30,0 (100)	6,4 (13.7)	6,4 (13.7)	6,4 (13.7)	6,4 (13.7)	4,5 (9.7)
	32,0 (120)			5,4 (—)	5,5 (—)	3,9 (—)
	36,0 (120)					
44,0 (145)						

	Boom m (ft)	18,2 (60)	24,4 (80)	30,5 (100)	36,6 (120)
Luffing Jib Length 39,6 m (130 ft)	Radius				
	14,0 (45)	20,7 (46.2)	20,7 (46.2)	20,7 (46.2)	
	16,0 (55)	17,7 (36.8)	17,9 (37.5)	17,9 (37.5)	17,1 (36.4)
	22,0 (75)	10,9 (22.7)	11,0 (22.9)	11,2 (23.1)	11,3 (23.4)
	28,0 (95)	7,3 (15.2)	7,4 (15.4)	7,4 (15.4)	7,5 (15.7)
	34,0 (115)	5,0 (10.6)	5,1 (10.6)	5,1 (10.6)	5,1 (10.8)
	40,0 (130)	3,4 (8.2)	3,4 (8.2)	3,4 (8.2)	3,4 (8.2)
	44,0 (150)				
	50,0 (165)				
	52,0 (175)				
Luffing Jib Length 51,8 m (170 ft)	Radius				
	14,0 (45)				
	16,0 (55)	— (30.0)	— (30.2)		
	22,0 (75)	10,3 (21.6)	10,4 (21.8)	10,4 (22.0)	10,6 (22.3)
	28,0 (95)	6,8 (14.1)	6,9 (14.3)	6,9 (14.3)	7,0 (14.6)
	34,0 (115)	4,6 (9.7)	4,6 (9.7)	4,7 (9.7)	4,7 (9.7)
	40,0 (130)	3,2 (7.3)	3,2 (7.3)	3,2 (7.3)	2,6 (6.2)
	44,0 (150)	2,6 (4.9)	2,6 (4.0)	1,6 (—)	
	50,0 (165)	— (2.2)			
	52,0 (175)				
56,0 (190)					

model 12000



Meets ANSI B30.5 Requirements - Capacities do not exceed 75% of static tipping load.
 NOTICE: This capacity chart is for reference only and must not be used for lifting purposes.

luffing jib load charts

23

Model 12000 Series 2 Liftcrane Luffing Jib Capacities No. 12000 Luffing Jib on Luffing Boom

34 000 kg (75,000 lb) Counterweight

360° Rating

kg (lb) x 1 000

73° Boom Angle

Boom m (ft)	18,2 (60)	24,4 (80)	30,5 (100)	36,6 (120)	45,7 (150)
Radius					
Luffing Jib Length 18,3 m (60 ft)	16,0 (55)	— (35.9)			
	20,0 (65)	13,0 (29.1)	12,4 (27.6)		
	22,0 (75)	11,5 (24.0)	11,0 (23.1)	10,4 (22.3)	— (20.3)
	26,0 (85)		8,5 (19.6)	8,4 (18.7)	8,0 (17.9)
	28,0 (95)			7,4 (—)	7,2 (15.2)
	32,0 (105)				6,6 (13.9)
	34,0 (115)				5,3 (11.9)
	38,0 (125)				
	40,0 (135)				
	42,0 (140)				

Boom m (ft)	18,2 (60)	24,4 (80)	30,5 (100)	36,6 (120)	45,7 (150)
Radius					
Luffing Jib Length 30,5 m (100 ft)	16,0 (55)				
	20,0 (65)				
	22,0 (75)				
	26,0 (85)	8,8 (19.6)	8,1 (17.9)		
	28,0 (95)	7,9 (16.8)	7,5 (15.9)	6,9 (15.0)	— (13.0)
	32,0 (105)	6,6 (14.6)	6,2 (13.7)	5,8 (13.0)	5,4 (12.1)
	34,0 (115)	5,9 (12.8)	5,6 (11.9)	5,3 (11.2)	4,9 (10.4)
	38,0 (125)		4,7 (—)	4,5 (9.9)	4,1 (9.0)
	40,0 (135)			3,8 (7.9)	3,1 (6.6)
	42,0 (140)				2,8 (6.2)

Boom m (ft)	18,2 (60)	24,4 (80)	30,5 (100)	36,6 (120)
Radius				
Luffing Jib Length 39,6 m (130 ft)	28,0 (95)	— (15.2)		
	32,0 (105)	6,3 (13.9)	5,8 (13.0)	— (11.2)
	34,0 (115)	5,7 (12.1)	5,3 (11.2)	5,0 (10.6)
	38,0 (125)	4,8 (10.6)	4,5 (9.9)	4,2 (9.3)
	40,0 (135)	4,4 (9.3)	4,1 (8.6)	3,8 (7.9)
	44,0 (145)	3,7 (8.2)	3,5 (7.7)	3,1 (6.8)
	46,0 (155)		3,2 (—)	2,8 (6.0)
	48,0 (160)			2,6 (—)
	52,0 (175)			2,3 (4.9)
	56,0 (185)			

Boom m (ft)	18,2 (60)	24,4 (80)	30,5 (100)	36,6 (120)
Radius				
Luffing Jib Length 51,8 m (170 ft)	28,0 (95)			
	32,0 (105)			
	34,0 (115)	— (10.1)		
	38,0 (125)	4,3 (9.5)	3,8 (8.4)	— (6.6)
	40,0 (135)	3,9 (8.4)	3,6 (7.5)	2,9 (6.6)
	44,0 (145)	3,2 (7.1)	2,9 (6.4)	2,5 (5.5)
	46,0 (155)	2,9 (6.2)	2,6 (5.5)	2,2 (4.6)
	48,0 (160)	2,7 (5.7)	2,4 (5.1)	1,9 (4.2)
	52,0 (175)	2,2 (4.6)	1,8 (4.0)	1,5 (3.3)
	56,0 (185)	1,7 (—)	1,5 (3.3)	

Meets ANSI B30.5 Requirements - Capacities do not exceed 75% of static tipping load.
NOTICE: This capacity chart is for reference only and must not be used for lifting purposes.

luffing jib load charts

24

Model 12000 Series 2 Liftcrane Luffing Jib Capacities No. 12000 Luffing Jib on Luffing Boom

34 000 kg (75,000 lb) Counterweight

360° Rating

kg (lb) x 1 000

63° Boom Angle

	Boom m (ft)	18,2 (60)	24,4 (80)	30,5 (100)	36,6 (120)	45,7 (150)
Luffing Jib Length 18,3 m (60 ft)	Radius					
	22,0 (75)	— (22.5)				
	24,0 (80)	9,7 (21.2)				
	26,0 (85)	8,6 (19.4)	7,9 (17.6)			
	28,0 (95)		7,4 (15.7)	— (13.7)		
	32,0 (105)			5,5 (12.3)	4,7 (10.4)	
	34,0 (115)				4,6 (9.7)	— (6.4)
	38,0 (125)					2,9 (6.4)
	40,0 (135)					
	44,0 (145)					

	Boom m (ft)	18,2 (60)	24,4 (80)	30,5 (100)	36,6 (120)
Luffing Jib Length 30,5 m (100 ft)	Radius				
	22,0 (75)				
	24,0 (80)				
	26,0 (85)				
	28,0 (95)				
	32,0 (105)	6,0 (13.4)			
	34,0 (115)	5,5 (11.7)	4,8 (10.6)		
	38,0 (125)	4,7 (10.4)	4,2 (9.3)	3,5 (7.9)	
	40,0 (135)		3,9 (8.2)	3,3 (7.1)	2,4 (5.3)
	44,0 (145)			2,8 (6.2)	2,2 (4.9)

	Boom m (ft)	18,2 (60)	24,4 (80)	30,5 (100)
Luffing Jib Length 39,6 m (130 ft)	Radius			
	36,0 (120)	— (9.7)		
	38,0 (125)	4,4 (9.7)		
	40,0 (130)	4,0 (9.0)	3,2 (7.1)	
	42,0 (140)	3,6 (7.9)	3,1 (6.8)	— (4.6)
	44,0 (150)	3,4 (7.1)	2,9 (6.0)	2,0 (4.6)
	48,0 (160)	2,9 (—)	2,4 (5.1)	1,9 (4.0)
	50,0 (170)		2,1 (—)	1,7 (3.3)
	52,0 (175)			1,5 (3.1)
	54,0 (180)			

	Boom m (ft)	18,2 (60)
Luffing Jib Length 51,8 m (170 ft)	Radius	
	36,0 (120)	
	38,0 (125)	
	40,0 (130)	
	42,0 (140)	
	44,0 (150)	— (5.1)
	48,0 (160)	2,2 (4.9)
	50,0 (170)	2,0 (4.0)
	52,0 (175)	1,7 (3.7)
	54,0 (180)	1,6 (3.3)

model 12000



Meets ANSI B30.5 Requirements - Capacities do not exceed 75% of static tipping load.
NOTICE: This capacity chart is for reference only and must not be used for lifting purposes.

Boom:

Welded lattice construction using tubular, high-tensile steel chords with pin connections between sections.

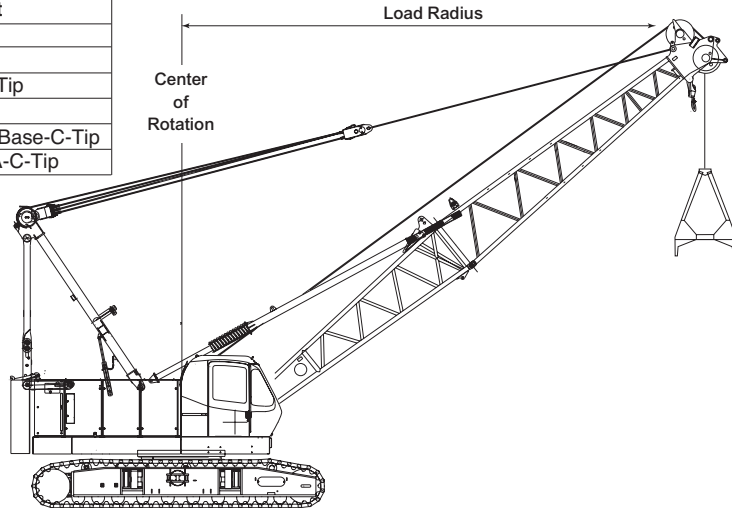
Basic boom length: 15,2 m (50 ft)

Max. boom length: 30,5 m (100 ft)

Limit on clamshell bucket weight: 2 100 kg (4,600 lbs)

Boom Component Chart

Boom length ft (m)	Boom arrangement
15,2 (50)	Base-Tip
18,3 (60)	Base-A-Tip
21,3 (70)	Base-A-A-Tip, Base-B-Tip
24,4 (80)	Base-A-B-Tip
27,4 (90)	Base-A-A-B-Tip, Base-B-B-Tip, Base-C-Tip
30,5 (100)	Base-A-B-B-Tip, Base-A-C-Tip



Base = 7,6 m (25 ft)
 Insert: A = 3,05 m (10 ft)
 B = 6,10 m (20 ft)
 C = 12,2 m (40 ft)
 Tip = 7,2 m (25 ft)

1. Figures represent maximum allowable capacity, and assume level ground and ideal working conditions.
2. Capacities are calculated at 66% of the minimum tipping loads.
3. Capacities are maximum recommended by PCSA Standard #4. Allowances must be made by the user for such unfavorable conditions as a soft or uneven supporting surface, rapid cycle operations, or bucket suction.
4. The combined weight of the bucket and load must not exceed these capacities.
5. Boom length for clamshell operation should not exceed 30,5 m (100 ft).

Clamshell Capacities

10 000 kg (22,050 lb) Counterweight (One Upper Counterweight, Crawlers Extended)

kg (lb) x 1 000

Boom m (ft)	15,2 (50)	18,3 (60)	21,3 (70)	24,4 (80)	27,4 (90)	30,5 (100)
Radius						
7,0 (22)	10,0 (25.0)					
8,0 (26)	10,0 (25.0)					
9,0 (30)	10,0 (25.0)	10,0 (25.0)				
10,0 (34)	10,0 (25.0)	9,7 (25.0)	9,7 (25.0)			
14,0 (45)	10,0 (23.1)	7,8 (22.9)	7,8 (22.7)	7,8 (22.5)	7,8 (21.6)	
15,0 (50)		6,6 (19.8)	6,6 (19.6)	6,6 (19.4)	6,6 (19.2)	6,6 (18.5)
17,0 (55)		5,7 (12.5)	5,7 (17.2)	5,7 (17.0)	5,7 (16.8)	5,7 (16.5)
18,0 (60)			5,0 (15.2)	5,0 (15.0)	5,0 (14.8)	5,0 (14.6)
21,0 (70)				4,4 (11.9)	4,3 (11.7)	4,2 (11.5)
24,0 (80)					— (9.5)	— (9.3)
25,0 (85)						— (8.4)
27,0 (90)						— (7.7)

Notes

26

A large rectangular grid area for taking notes, consisting of many small squares. The grid is empty and occupies most of the page.

Americas

USA

Manitowoc Crane CARE

2401 S. 30th Street,
Manitowoc, WI 54220 USA
Tel: + 1 920 684 6621
Fax: + 1 920 683 6278

Manitowoc Crane CARE

1565 Buchanan Trail East,
Shady Grove, PA 17256 USA
Tel: + 1 717 597 8121
Fax: + 1 717 593 5929

Manitowoc Crane CARE

16013 West Sardis Road
Bauxite, AR 72011 USA
Tel: + 1 501 557 5800
Fax: + 1 501 557 5029

Brazil

Manitowoc Crane CARE

Edifício: Itaim Office Tower
Rua Gomes de Carvalho,
1581 - 2 andar cj 205 / 206
Vila Olímpia - SP - Cep: 04547 - 006
Brasil
Tel: + 55 11 3841 2741
Fax: + 55 11 3841 2740

Mexico

Manitowoc Crane CARE

Miravalles Center, piso PB,
Suite 106 Calz San Pedro
250 Nte. Monterrey,
Nuevo Leon, Mexico
Tel: + 5281 8124 0128
Fax: + 5281 8124 0129

Europe - Middle East - Africa

United Kingdom

Manitowoc Crane CARE

Akeler House, 1 Emperor Way
Doxford International Business Park
Sunderland, England SR3 3XR
Tel: + 44 191 565 6281
Fax: + 44 191 515 7475

France

Manitowoc Crane CARE

16 chaussee Jules-Cesar,
95523 Cergy Pontoise, France
Tel: + 33 130 313 150
Fax: + 33 130 386 085

Manitowoc Crane CARE

Z.A. Les Pivolles - 5 rue
De Catalogne, 69153 Decines
Charpieu Cedex, France
Tel: + 33 4 72 81 50 00
Fax: + 33 4 72 81 50 10

Germany

Manitowoc Crane CARE

Industriegelände West
26389 Wilhelmshaven
Postfach 1853, Germany
Tel: + 49 4421 294 454
Fax: + 49 4421 294 244

Manitowoc Crane CARE

Carl-Leverkus-Str. 14
40764 Langenfeld, Germany
Tel: + 49 2173 8909 0
Fax: + 49 21738909 30

Italy

Manitowoc Crane CARE

Via delle Fabbriche, 4
12060 Niella Tanaro, Italy
Tel: + 39 174 226 611
Fax: + 39 174 226 667

Netherlands

Manitowoc Crane CARE

Veilingkade 15
4815 HC Breda
Tel: + 31 76 5783999
Fax: + 31 76 5783978

Portugal

Manitowoc Crane CARE

Rua da Serra (EN 105/2)
Apartado 3117
4449-908 Alfena, Portugal
Tel: + 35 1229 698 840
Fax: + 35 1229 698 848

United Arab Emirates (UAE)

Manitowoc Crane CARE

P.O. Box 75314
Villa 354, Road 13D
Al Quoz, Dubai
Tel: + 97 143 381 861
Fax: + 97 143 382 343

Asia - Pacific

Singapore

Manitowoc Crane CARE

4 Kwong Min Road
Singapore, 628707 Singapore
Tel: + 65 626 41188
Fax: + 65 686 24040 (Sales/Admin)
+ 65 686 24142 (Parts/Service)

China

Manitowoc Crane CARE

No. 55 East Zhen Bei Road
South District Zhangjiagang
Economic Development Zone
Zhangjiagang, Jiangsu
215618 P R China
Tel: + 86 512 5691 5000
Fax: + 86 512 5691 5015

Manitowoc Crane CARE

RM. F. 22F Cross region Plaza
899 Lingling Road
Shanghai, 200030, P R China
Tel: + 86 21 5486 1515
Fax: + 86 21 5486 3565

Manitowoc Crane CARE

RM 1201-1205, #933 Zhongshan West
Road
Hongqiao Silver Tower
Shanghai 200051, P R China
Tel: + 86 21 5111 3579
Fax: + 86 21 5111 3578

Australia

Manitowoc Crane CARE

2/22 Disney Avenue, East Keilor
VIC 3033 Australia
Tel: + 61 03 9336 1300
Fax: + 61 03 9336 1322

Manitowoc Crane CARE

142 Magowar Road
Girraween NSW 2145 Australia
Tel: + 61 02 9896 4433
Fax: + 61 02 9896 3122

Korea

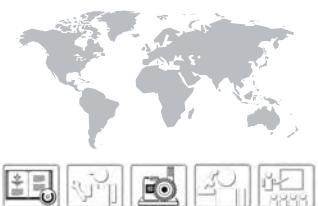
Manitowoc Crane CARE

RM 301 Gugu Building 145-18
Samsung-Dong, Kangnam-Ku
Seoul 135-878 Korea
Tel: + 82 2 508 3361
Fax: + 82 2 508 3365

Phillipines

Manitowoc Crane CARE

G/F Southwest Centre Building
Corner Makiling Street
Southwest Superhighway,
Palanan, Makati City
1235 Phillipines
Tel: + 632 844 9437
Fax: + 632 844 4712



www.manitowoccrancare.com