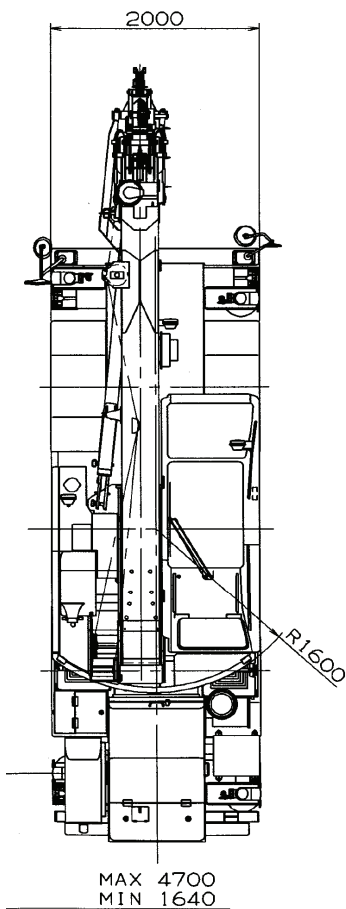
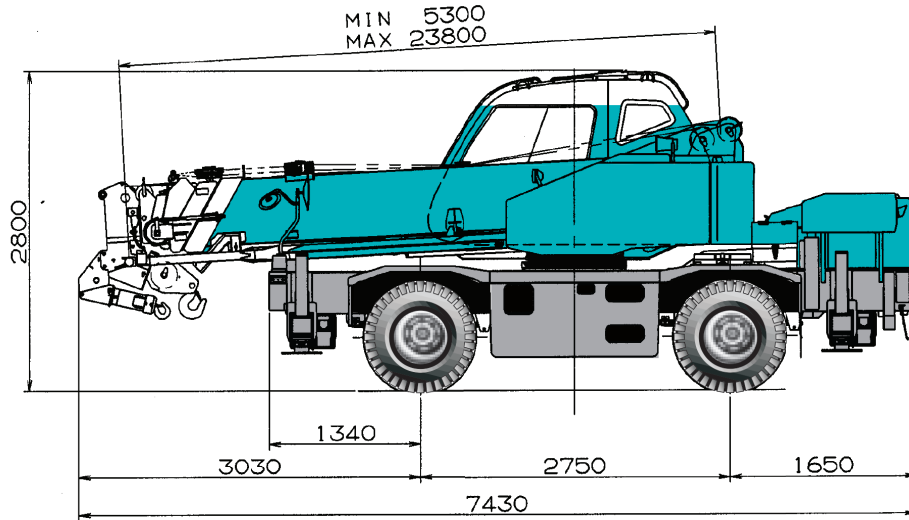
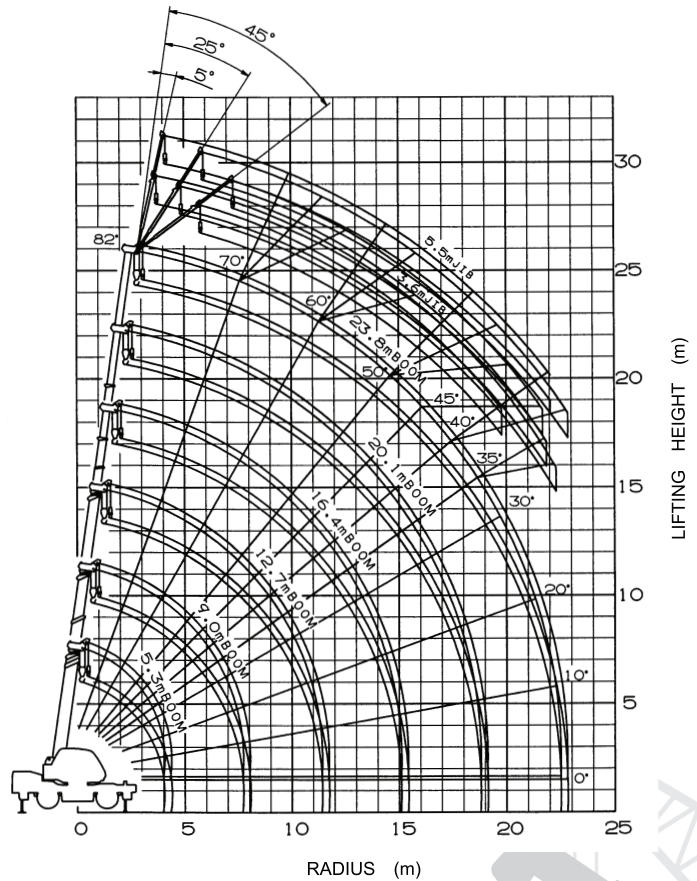


## TADANO GR 120

12 TONNE



### WORKING RANGE



# TADANO GR 120

## 12 TONNE

### RATED LIFTING CAPACITIES

**ON OUTRIGGERS** Unit : kg

		Outriggers fully extended (4.7 m) - 360° rotation -					
B \ A	5.3 m	9.0 m	12.7 m	16.4 m	20.1 m	23.8 m	
1.0 m	12,000	6,000					
1.5 m	12,000	6,000	6,000				
2.0 m	12,000	6,000	6,000	5,000			
2.5 m	10,000	6,000	6,000	5,000	4,500		
3.0 m	8,200	6,000	6,000	5,000	4,500		
3.5 m	7,000	6,000	6,000	5,000	4,500	3,000	
4.0 m	6,100	6,000	5,350	4,850	4,250	3,000	
4.5 m		5,200	4,750	4,350	3,850	3,000	
5.0 m		4,650	4,250	3,900	3,550	3,000	
5.5 m		4,150	3,800	3,550	3,300	2,900	
6.0 m		3,750	3,450	3,200	3,050	2,750	
7.0 m		3,050	2,850	2,700	2,550	2,350	
8.0 m		2,700	2,200	2,300	2,200	2,100	
9.0 m		(7.7m)	1,650	1,950	1,900	1,800	
10.0 m			1,250	1,700	1,650	1,600	
11.0 m			1,000	1,400	1,450	1,400	
12.0 m			900	1,150	1,300	1,200	
13.0 m			(11.4m)	950	1,100	1,100	
14.0 m				750	900	1,000	
15.0 m				650	750	850	
16.0 m					650	700	
17.0 m					550	600	
18.0 m					450	500	
19.0 m					400	400	
20.0 m					(18.7m)	350	
22.0 m						250	
22.3 m						230	

**ON OUTRIGGERS** Unit : kg

		Outriggers extended to middle (3.5 m) - Over side -					
B \ A	5.3 m	9.0 m	12.7 m	16.4 m	20.1 m	23.8 m	
1.0 m	12,000	6,000					
1.5 m	12,000	6,000	6,000				
2.0 m	12,000	6,000	6,000	5,000			
2.5 m	10,000	6,000	6,000	5,000	4,500		
3.0 m	8,200	6,000	6,000	5,000	4,500		
3.5 m	7,000	6,000	6,000	5,000	4,500	3,000	
4.0 m	6,100	6,000	5,350	4,850	4,250	3,000	
4.5 m		4,750	4,700	4,350	3,850	3,000	
5.0 m		3,850	3,800	3,900	3,550	3,000	
5.5 m		3,250	3,100	3,500	3,300	2,900	
6.0 m		2,700	2,600	2,950	3,050	2,750	
7.0 m		1,950	1,850	2,150	2,350	2,350	
8.0 m		1,600	1,350	1,650	1,800	1,850	
9.0 m		(7.7m)	1,000	1,250	1,400	1,450	
10.0 m			700	950	1,100	1,150	
11.0 m			500	750	850	950	
12.0 m			400	550	650	750	
13.0 m			(11.4m)	400	500	600	
14.0 m				300	400	450	
15.0 m				200	300	350	
16.0 m					200	250	
17.0 m						200	

A : Boom length  
B : Load radius

