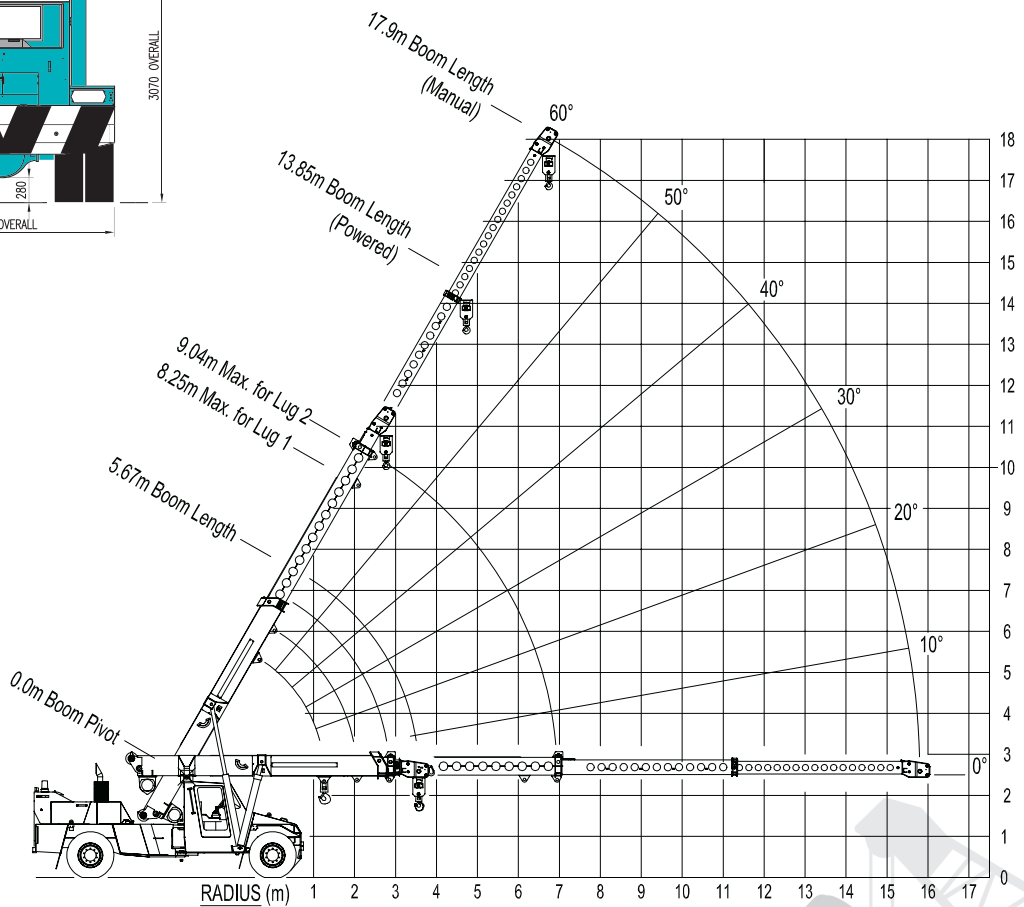
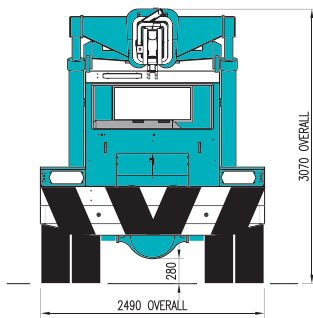
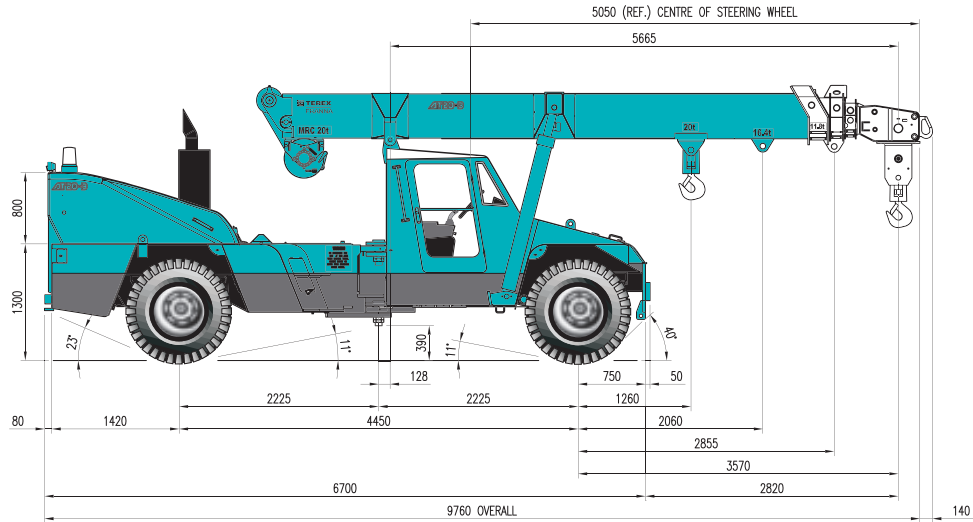


FRANNA AT 20 20 TONNE



RADIUS	BOOM LENGTH (m)																		
	5.67	6.00	6.50	7.00	7.50	8.00	8.50	9.00	9.50	10.00	10.50	11.00	11.50	12.00	12.50	13.00	13.50	13.85	
1.6	16800 48	16250 51	15450 54	14900 57															
2.0	16800 42	16500 46	15700 50	15100 53	14700 56	14350 58	12600 60	12600 60	12600 60	12600 60	12600 60	12600 60	12600 60	12600 60	12600 60	12600 60	12600 60	12600 60	12600 60
2.5	13900 34	13900 39	13900 44	13850 48	13850 51	13850 54	13850 56	13200 58	13200 60	13200 60	13200 60	13200 60	13200 60	13200 60	13200 60	13200 60	13200 60	13200 60	13200 60
3.0	9950 25	9950 31	9950 37	9950 42	9950 46	9950 49	9900 52	9900 55	9900 57	9900 60	9900 60	9900 60	9900 60	9900 60	9900 60	9900 60	9900 60	9900 60	9900 60
3.5	9650 8	9650 20	9650 29	9650 36	9650 41	9650 45	9650 48	9650 51	9650 53	9650 55	9650 57	9650 59	9650 60	9650 60	9650 60	9650 60	9650 60	9650 60	9650 60
4.0	8400 (3.57)	8400 (3.90)	8400 (4.40)	8400 (4.90)	8400 (5.40)	8400 (5.90)	8400 (6.40)	8400 (6.90)	8400 (7.40)	8400 (7.90)	8400 (8.40)	8400 (8.90)	8400 (9.40)	8400 (9.90)	8400 (10.40)	8400 (10.90)	8400 (11.40)	8400 (11.75)	8400 (11.75)
4.5																			
5.0																			
6.0																			
7.0																			
8.0																			
9.0																			
10.0																			
11.0																			
11.75																			

RC (KG) LESS THAN 10 DEG ARTICULATION

RC (KG) GREATER THAN 10 DEG ARTICULATION

BOOM ANGLE OR (RADIUS AT 0 DEG BOOM ANGLE)