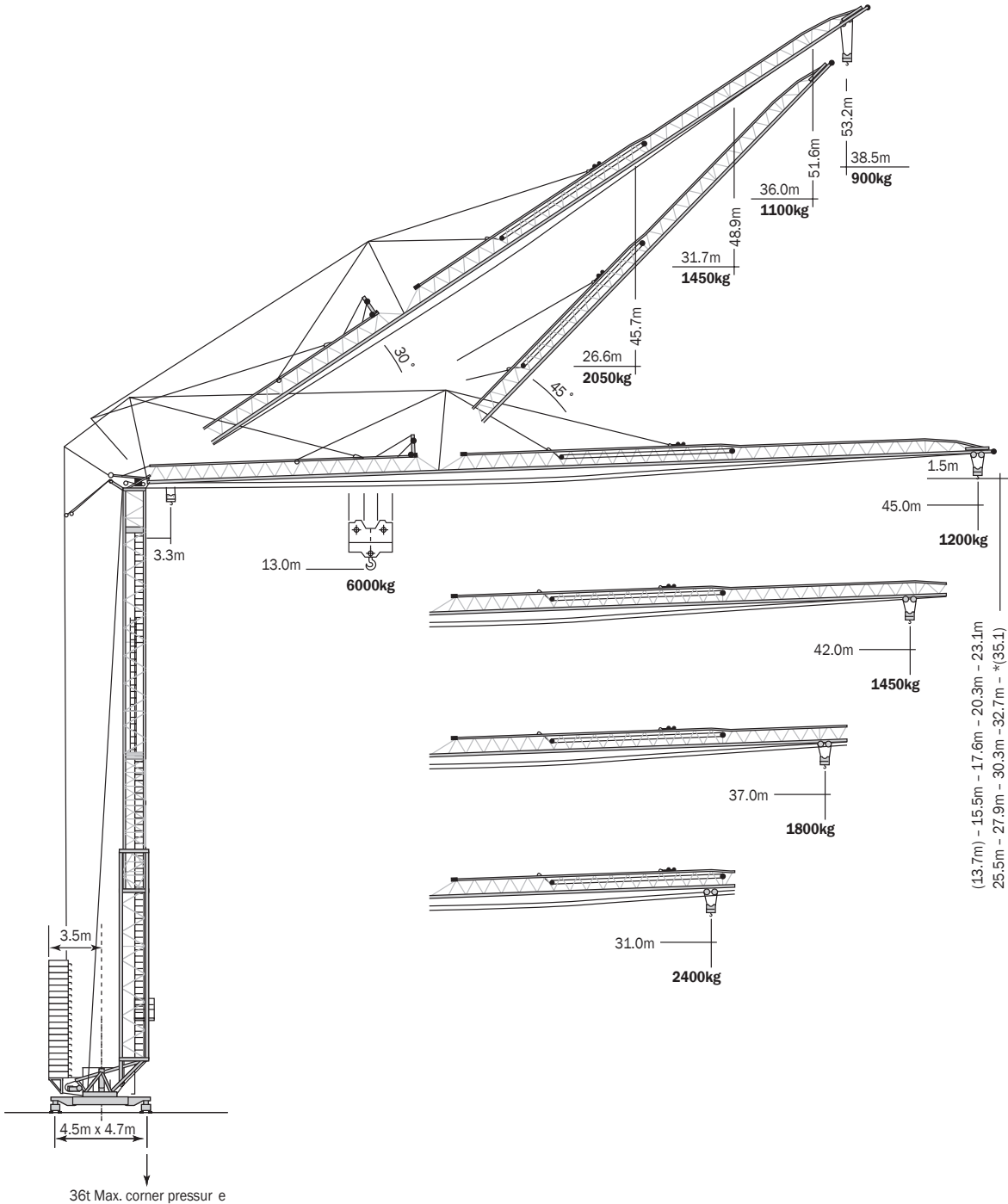


LIEBHERR 71K

6 TONNE



Load Diagram

Jib/m	Radius m/kg	10.0	11.0	12.0	13.0	14.0	16.0	18.0	20.0	22.0	24.0	26.0	28.0	30.0	31.0	33.0	35.0	37.0	39.0	41.0	42.0	43.0	44.0	45.0
45.0	3.3 - 20.0 (3000) 3.3 - 10.7 (6000)	6000	5810	5290	4850	4470	3860	3390	3000	2690	2430	2210	2030	1860	1790	1650	1540	1430	1330	1250	1210	1170	1140	1100
42.0	3.3 - 21.7 (3000) 3.3 - 11.6 (6000)	6000	6000	5780	5310	4900	4230	3710	3300	2960	2680	2440	2240	2060	1980	1830	1710	1590	1490	1390	1350			
37.0	3.3 - 22.9 (3000) 3.3 - 12.2 (6000)	6000	6000	6000	5620	5190	4490	3940	3510	3150	2850	2600	2380	2200	2110	1960	1820	1700						
31.0	3.3 - 24.7 (3000) 3.3 - 13.1 (6000)	6000	6000	6000	6000	5610	4850	4270	3800	3410	3090	2820	2590	2390	2300									