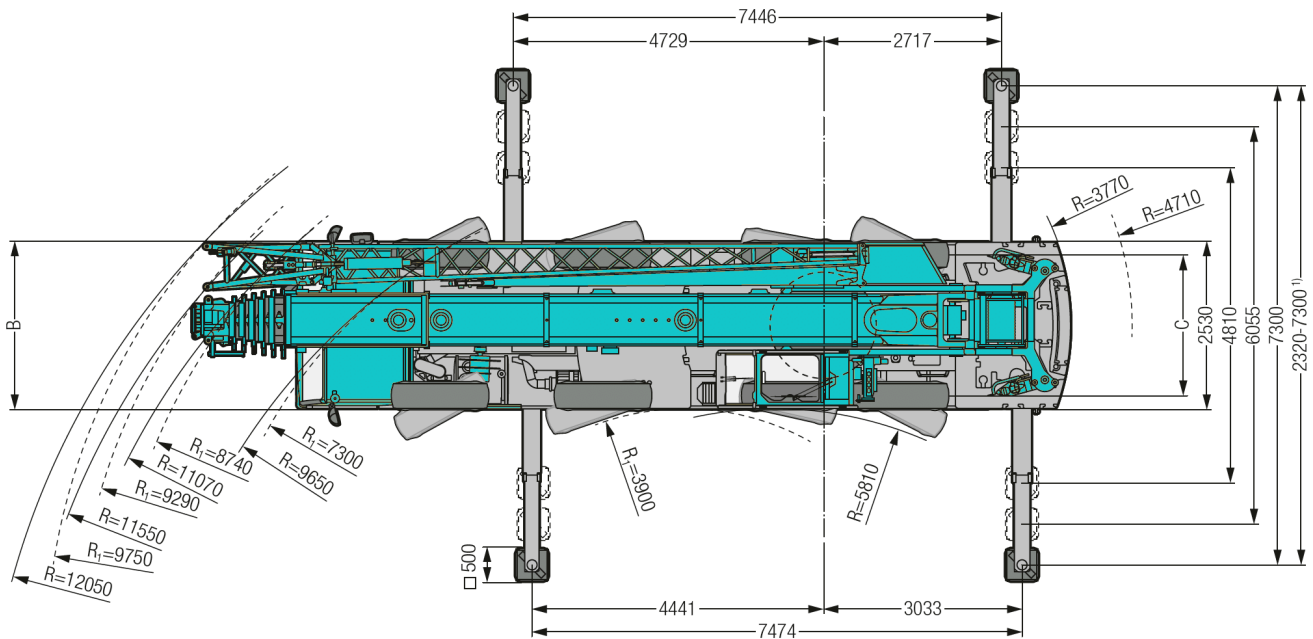
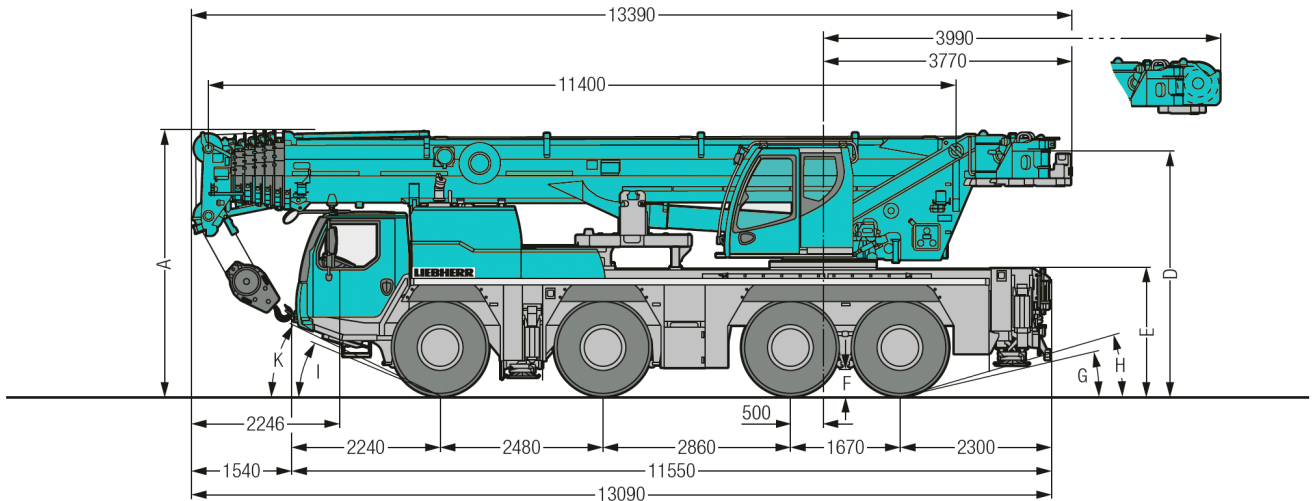



LIEBHERR LTM 1090-4.2

90 TONNE

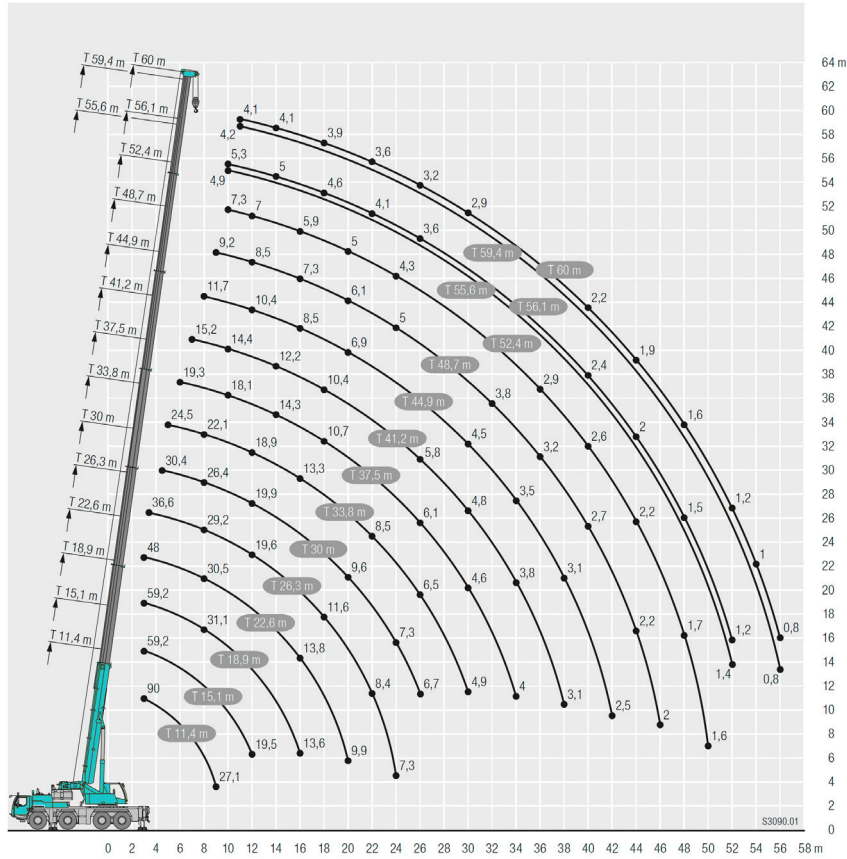


S3087.02

	A	A	B	C	D	E	F	G	H	I	K
	3950	100 mm*	2550	2160	3644	1866	345	11°	15°	22°	25°
385/95 R 25 (14.00 R 25)		3850									

LIEBHERR LTM 1090-4.2

90 TONNE



LIFTING CAPACITY: FULL 22T COUNTERWEIGHT



	11.4 m	15.1 m	18.9 m	22.6 m	26.3 m	30 m	33.8 m	37.5 m	41.2 m	44.9 m	48.7 m	52.4 m	55.6 m	56.1 m	59.4 m	60 m				
3	90	59.2	59.2	59.2	48												3			
3.5	59.2	59.2	58.2	56.3	48	36.6											3.5			
4	55.6	54.9	53.2	51	47.5	36.6											4			
4.5	50.9	50.5	49	46.8	45.3	36.6	30.4										4.5			
5	47.6	46.7	45.4	43.1	41.7	36.3	30	24.5									5			
6	42	40.3	40.2	38.3	36.7	35.1	28.8	23.8	19.3								6			
7	36.6	35.3	35.8	34.4	33.6	32.3	27.6	22.9	19.1	15.2							7			
8	31.6	30.9	31.4	31.1	30.5	29.2	26.4	22.1	18.9	15.1	11.7						8			
9	27.1	27	27.6	27.9	27.7	26.7	25	21.3	18.6	15	11.5	9.2					9			
10			24.4	24.7	24.7	24.4	23.5	20.5	18.1	14.4	11.2	9	7.3	4.9	5.3		10			
11			21.6	22	22	21.9	22.1	19.7	17.1	13.8	10.8	8.8	7.1	4.9	5.3	4.2	4.1	11		
12			19.5	19.6	19.7	19.6	19.9	18.9	16.1	13.3	10.4	8.5	7	4.8	5.2	4.2	4.1	12		
14				16.1	16.3	16.4	16.2	16	14.3	12.2	9.4	8	6.7	4.7	5	4.2	4.1	14		
16				13.6	13.8	13.7	13.5	13.3	12.7	11.3	8.5	7.3	5.9	4.5	4.8	4.1	4	16		
18					11.6	11.6	11.4	11.1	10.7	10.4	7.6	6.7	5.4	4.2	4.6	4	3.9	18		
20						9.9	9.8	9.6	9.3	9.3	6.9	6.1	5	4	4.3	3.8	3.7	20		
22							8.4	8.2	8.5	8.3	7.9	6.3	5.5	4.6	3.7	4.1	3.6	22		
24								7.3	7.4	7.1	6.8	5.9	5	4.3	3.5	3.8	3.4	24		
26									6.7	6.5	6.1	5.8	5.5	4.6	4	3.3	3.6	26		
28										5.6	5.3	5.1	5.1	4.2	3.8	3.1	3.4	28		
30											4.9	4.6	4.8	4.5	3.9	3.5	2.9	3.2	30	
32												4.3	4.2	4	3.8	3.3	2.7	3.1	32	
34													4	3.8	3.5	3.5	3.1	2.6	2.9	34
36														3.4	3.3	3.2	2.9	2.4	2.7	36
38															3.1	3.1	2.9	2.8	2.3	38
40																2.8	2.7	2.6	2.1	40
42																	2.5	2.5	2.3	42
44																		2.2	2.2	44
46																			1.9	46
48																				48
50																				50
52																				52
54																				54
56																				56

* = 0° nach hinten - over rear - en arrière - sul posteriore - hacia atrás - сзади поворота назад

max_271_001_00001_00/00301_00/00341_00